



DTV

Differential pressure switch for air up to 5000 Pa

DTV is a differential pressure switch for supervising air handling units. It is used, for example to monitor fans, filters or to control defrosting functions.

- ✓ For differential pressure up to 5000 Pa
- ✓ Lowest setpoint value 20 Pa (DTV200)
- ✓ Compact format
- ✓ Easy to mount
- ✓ Excellent long-term stability
- ✓ Can be used at temperatures down to - 30°C

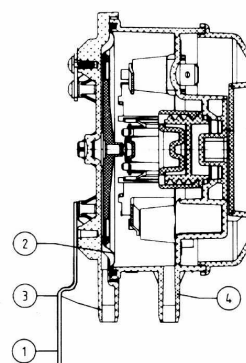
Function

The pressure that is connected to P1 is compared with the pressure connected to P2. The differential pressure affects the spring suspended synthetic membrane which is linked to a changeover contact. When the differential pressure exceeds the setpoint value the contact changes.

When the pressure switch is used to supervise a fan one of the pressure connections can be left open (atmospheric pressure).

The setpoint value is set using the knob under the lid. The setpoint value is visible through the lid.

The lid is secured with a single screw to facilitate mounting and service.



DTV - cross section

1	Bracket
2	Membrane
3	P1 connection for the higher pressure
4	P2 connection for the lower pressure

Installation

The pressure switch can be mounted in different positions. The recommendation is to mount the switch in a vertical position since that is the position where the factory calibration is valid. In other mounting positions, the switching point must be adjusted, see below.

Recommended mounting

Vertical mounting. Valid factory calibration.



Horizontal with lid up

The switching point will be 11 Pa higher than the set value on the scale.



Horizontal with lid down

The switching point will be 11 Pa lower than the set value on the scale.



Technical data

Contact data	5 A (0.8 A), 250 V AC, changeover contact.
Switching load	
Resistive load	5 A at 250 V AC, 4 A at 30 V DC
Inductive load	0.8 A at 250 V AC, 0.7 A at 30 V DC
Cable connection	Screw terminal, cable gland with built-in strain relief Pg11
Ambient temperature	-30...+85°C
Storage temperature	-40...+85°C
Maximum differential pressure	5000 Pa
Pressure connection	Connection pipes for 6 mm tube
Protection class	IP54
Accessories, included	Two pressure outlets (straight) and 2 m plastic tube. Art. no.: ANS-20
Weight	0.12 kg

Material

Housing	Fibreglass reinforced plastic
Membrane	Silicon LSR
Bracket	Galvanized steel. Two fastening holes Ø 5 mm, cc 40 mm.

Models

Article	Pressure range	Hysteresis (ΔP)
DTV200	20...300 Pa	15 ± 5 Pa
DTV500	50...500 Pa	25 ± 8 Pa
DTV1000	100...1000 Pa	45 ± 11 Pa
DTV2000	500...2000 Pa	90 ± 15 Pa
DTV5000	1000...5000 Pa	220 ± 30 Pa

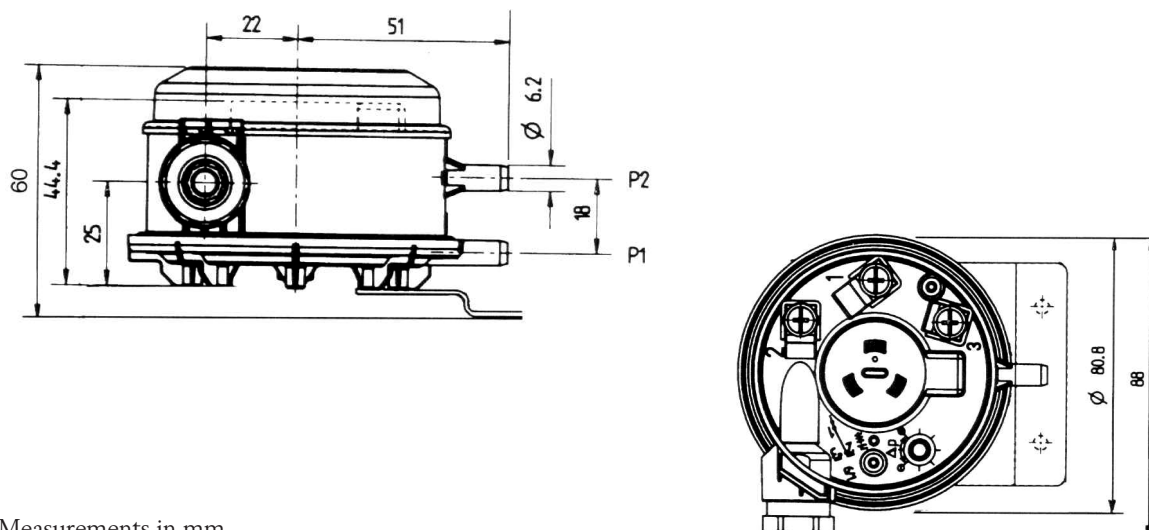


This product carries the CE -mark. More information is available at www.regincontrols.com

Accessories

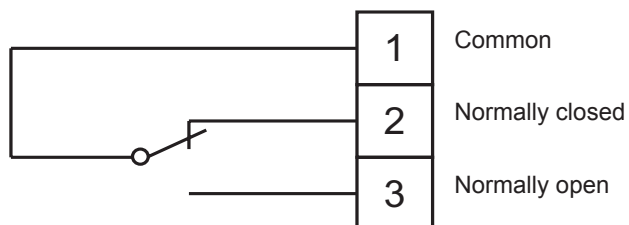
Article	Description
ANS-3	Two pressure outlets (metal, 90° angle) and 2 m plastic tube.
ANS-20	Two pressure outlets (straight) and 2 m plastic tube

Dimensions



Measurements in mm.

Wiring



Product documentation

Document	Description
DTV instruction	Instruction for installation of DTV

The product documentation can be downloaded from www.regincontrols.com