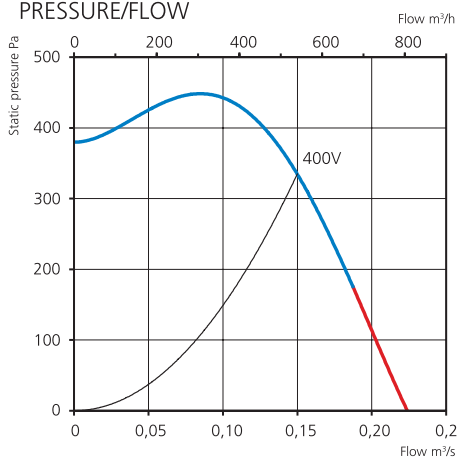
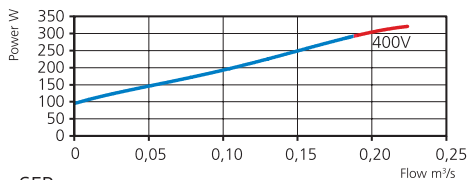


- 3- phase radial fan with circular inlet connection.
- The RFTX is a safe choice for numerous applications in hazardous locations.
- The fan is intended for use where an explosive environment with gas can sometimes occur.
- The fan can only be used in zone 1 and 2.
- The ATEX fan is not subject to the ErP directive.
- Impeller with forward curved blades.
- The external rotor motor is separated from the air stream and has maintenance-free sealed ballbearings.
- RFTX cannot be speed controlled.
- Integrated junction box.
- External motor protection should be connected to the fan according to EN 60079-14:2014.
- Fan housing is manufactured from galvanized sheet steel with a nonsparking inlet cone made from copper.
- The fan is certified according to directive 2014/34/EC.
- Compliance with the standards EN 14986:2017 and EN ISO IEC 80079-36:2016.
- The fan is intended to be installed indoors in a duct system.
- Ex-marking II2G Ex h IIB + H2 T3 Gb.

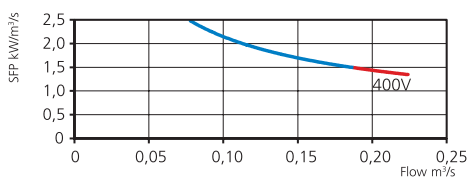
PRESSURE/FLOW



POWER/FLOW



SFP



TECHNICAL DATA

Voltage	400 V
Frequency	50 Hz
Phase	3 ~
Current	0.53 A
Power	300 W
Speed	2810 r.p.m.
Max. temp of transported air	40 °C
Sound pressure level, 3 m	58 dB(A)
Weight	7.6 kg
Enclosure class	55 IP
Wiring diagram	4040116

ACCESSORIES

- Outlet pipe RFTX 140 A/C Ø160
- Motor protection 0.63-1.0 A

SOUND DATA

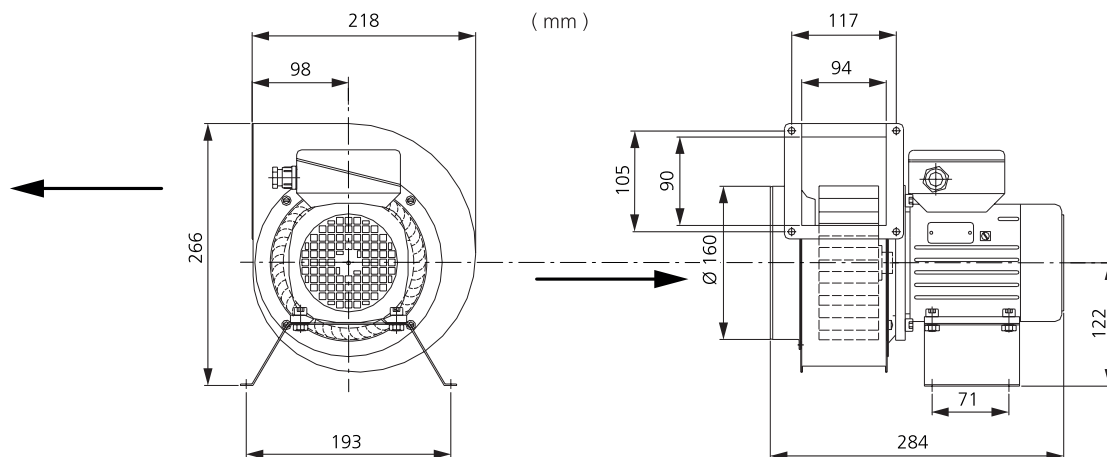
	L_{WA} tot dB (A)	63	125	250	500	1K	2K	4K	8K
Surrounding 400 V	65	32	35	51	55	60	60	57	51
Outlet 400 V	81	63	75	76	74	71	72	64	59
Inlet 400 V	77	57	65	72	72	67	68	62	56

MORE INFORMATION



Find out the latest updated information about this product by visiting www.ostberg.com or scanning this QR code.

DIMENSIONS



ATEX FANS