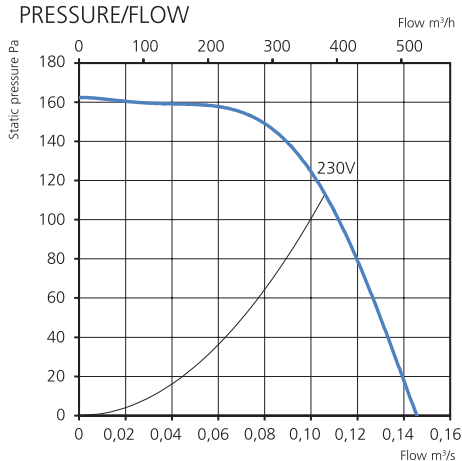
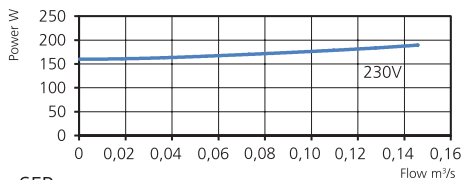


- Single phase radial fan with circular inlet connection.
- The RFEX is a safe choice for numerous applications in hazardous locations.
- Operational in both 50/60 Hz.
- The fan is intended for use where an explosive environment with gas can sometimes occur.
- The fan can only be used in zone 1 and 2.
- The ATEX fan is not subject to the ErP directive.
- Impeller with forward curved blades.
- The external rotor motor is separated from the air stream and has maintenance-free sealed ballbearings.
- RFEX cannot be speed controlled.
- Integrated junction box.
- External motor protection should be connected to the fan according to EN 60079-14:2014.
- Fan housing is manufactured from galvanized sheet steel with a nonsparking inlet cone made from copper.
- The fan is certified according to directive 2014/34/EC.
- Compliance with the standards EN 14986:2017 and EN ISO IEC 80079-36:2016.
- The fan is intended to be installed indoors in a duct system.
- Ex-marking II2G Ex h IIB + H2 T3 Gb.

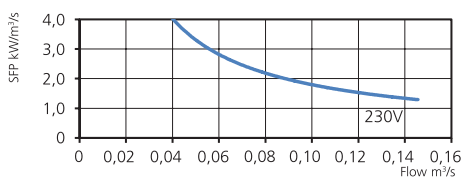
### PRESSURE/FLOW



### POWER/FLOW



### SFP



### TECHNICAL DATA

<b>Voltage</b>	230 V
<b>Frequency</b>	50 Hz
<b>Phase</b>	1 ~
<b>Current</b>	1.31 A
<b>Power</b>	193 W
<b>Speed</b>	1440 r.p.m.
<b>Max. temp of transported air</b>	40 °C
<b>Sound pressure level, 3 m</b>	62 dB(A)
<b>Weight</b>	8.6 kg
<b>Enclosure class</b>	55 IP
<b>Wiring diagram</b>	4040191

### ACCESSORIES

- Outlet pipe RFX 160 A/C Ø160
- Motor protection 1.0-1.6 A

### SOUND DATA

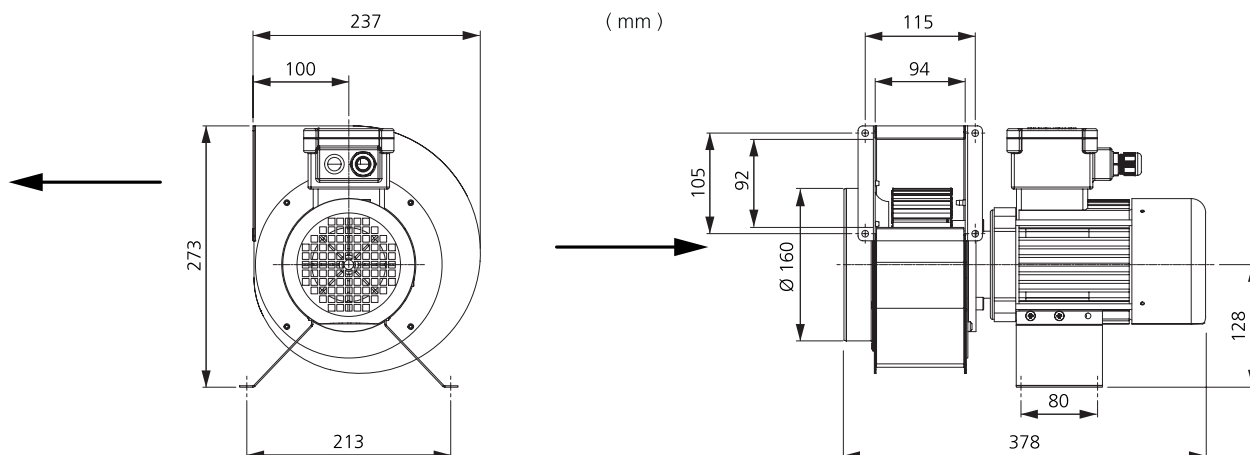
	$L_{WA}$ tot dB (A)	63	125	250	500	1K	2K	4K	8K
<b>Surrounding 230 V</b>	69	24	47	49	62	68	58	52	43
<b>Outlet 230 V</b>	81	62	69	77	74	72	67	70	68
<b>Inlet 230 V</b>	76	59	67	74	64	67	63	63	59

### MORE INFORMATION



Find out the latest updated information about this product by visiting [www.ostberg.com](http://www.ostberg.com) or scanning this QR code.

### DIMENSIONS



ATEX FANS