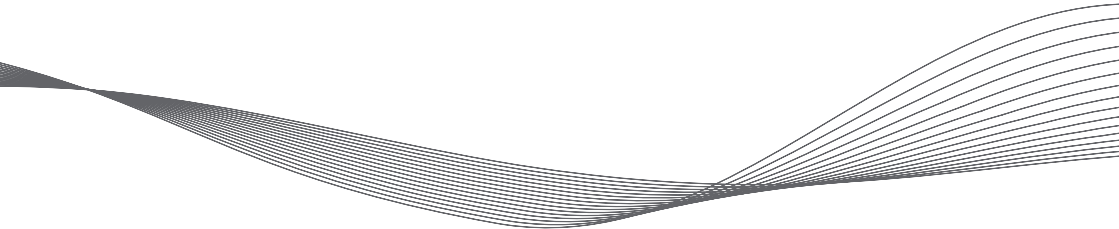




RS

INSTALLATION, OPERATION & MAINTENANCE | EN
INSTALLATION, DRIFT & UNDERHÅLL | SE



INSTALLATION, OPERATION & MAINTENANCE EN.....	4
INSTALLATION, DRIFT & UNDERHÅLL SE	18

The manufacturer cannot be held liable for injury and damage to people or property that are caused by incorrect installation, start up and/or incorrect use of the product. The warranty will be immediately invalidated in the event of injury that is caused by failure to follow the instructions. Installation and commissioning must be performed by a professional in order for the warranty to apply.

Shortcuts:

- Links to product information www.ostberg.com
- Download wiring diagrams and technical data via the links below.

RS AC



RS EC



Table of Content

1 Safety	4
1.1 Warnings.....	4
1.2 General safety	4
1.3 Declaration of conformity.....	5
2 Warranty	6
2.1 Extent of the warranty	6
2.2 General limitations in the warranty	6
2.3 Limitations in the warranty.....	6
2.4 Service conditions during the warranty period.....	6
2.5 Corrective measures in the event of detected faults	7
3 Transport and storage	7
3.1 General.....	7
3.2 Checking the delivery	7
4 Product overview and use	8
4.1 Product description	8
4.2 Product label.....	8
5 Installation	9
5.1 Mounting principles.....	10
5.2 Installation	11
6 Operation	12
7 Maintenance	13
8 Technical data	14
8.1 Dimensions	14
9 Troubleshooting	15

1 Safety

1.1 Warnings



WARNING!

A warning states a risk of personal injury.



CAUTION!

Caution states a risk of damage to equipment.

1.2 General safety



WARNING!

All electrical installations must be performed by a qualified electrician



WARNING!

Ensure that the power cable is not damaged during mounting and installation.



WARNING!

The fan may not be started until the installation is completely finished and the ducts have been connected.



WARNING!

All operations on the unit and its peripheral equipment must be performed in accordance with local laws and regulations.



WARNING!

Watch out for sharp edges and corners on the fan.



WARNING!

Rotating, hot and electrical components can cause serious injuries.



WARNING!

The fan is used for transportation of “clean” air, meaning not intended for flammable substances, explosives, grinding dust, soot, etc.



CAUTION!

The capacitor has finite lifetime and should be exchanged after 45.000 hours of operation (about 5 years) to secure maximum function. Defective capacitor can cause damage.

1.3 Declaration of conformity



EU DECLARATION OF CONFORMITY

We hereby confirm that our products comply with the requirements in the following EU-directives and harmonised standards and regulations.

Manufacturer: H. ÖSTBERG AB
 Industrigatan 2
 SE-774 35 Avesta, Sweden
 Tel No +46 226 860 00
 Fax No +46 226 860 05
<http://www.ostberg.com>
info@ostberg.com
 VAT No SE 556301-2201



Products: Duct fans: CK, RK, RKC, RKB, LPKB, LPKBS, IRE, IRB, BFS, BFC
 Wall fans: CV, KV, RS
 Roof fans: TKK, TKS, TKC, TKV, TKH
 Exhaust fans: IFK, IFA, CAU
 Supply air units: SAU

This EU declaration is applicable for products including our accessories for mounting and installation only if the installation is made in accordance with the enclosed installation instructions and that the product has not been modified.

Low Voltage Directive (LVD) 2014/35/EU

Harmonised standards:

• EN 60335-1:2012, AC 1, A 13 R1, A 11, A 12, A 13, A 1, A 14, A2, Household and similar electrical appliances - Part 1: General requirements

- EN 60335-2-80:2003, A 1, A 2, Household and similar electrical appliances - safety- Part 2: Particular requirements for fans*
- EN 62233:2008 Measurement methods for electromagnetic fields of household appliances and similar apparatus with regard to human exposure

* Deviations regarding section 24.101 occur. Automatic reset of thermal cut-outs can lead to a sudden start comparable to that of demand-controlled ventilation. These risks are reduced by fixed guards and warnings.

Directive for Electromagnetic Compatibility (EMC) 2014/30/EU

Harmonised standards:

- SS-EN IEC 61000-6-1:2019 Electromagnetic compatibility (EMC) - Generic standards - Immunity for residential, commercial and light-industrial environments
- SS-EN IEC 61000-6-2:2019 Electromagnetic compatibility (EMC) - Generic standards - Immunity for industrial environments
- SS-EN 61000-6-3:2007, A1, Electromagnetic compatibility (EMC) - Generic standards - Emission standard for residential, commercial and light-industrial environments
- SS-EN IEC 61000-6-4:2019 Electromagnetic compatibility (EMC) - Generic standards - Emission standard for industrial environments

Machinery Directive (MD) 2006/42/EC

Harmonised standards:

- EN ISO 12100:2010 Safety of machinery - General principles for design – Risk assessment and risk reduction
- EN ISO 13857:2019 Safety of machinery - Safety distances to prevent hazard zones being reached by upper and lower limbs.
- EN 60204-1:2018 Safety of machinery – Electrical equipment of machines – Part 1: General requirements

Ecodesign Directive 2009/125/EC

Harmonised regulation:

- 1253/2014 Ecodesign requirements for ventilation units
- 1254/2014 Energy labeling of residential ventilation units (Where applicable)

Standards:

- SS-EN 13141-4, SS-EN 13141-8, SS-EN 13141-11 or EN 13053

RoHS 2011/65/EU, 2015/863/EU

Harmonised standards:

- EN IEC 63000:2018

Avesta 2021-11-16


 Mikael Ostberg
 Product Manager

This document is digitally signed.

2 Warranty

The warranty's validity according to the purchase agreement is calculated from the day of purchase.

2.1 Extent of the warranty

The warranty covers faults that occur during the warranty period that have been notified to the dealer or which have been verified by H.Östberg AB (underwriter) or the warranty provider's representative. Faults are defects in manufacture and materials as well secondary failures that occur due to these. The above faults must be remedied so that the product is operational.

2.2 General limitations in the warranty

The warranty provider's liability is limited according to these warranty conditions and the warranty does not cover injury or damage to people or property. Verbal promises that are made in addition to the warranty agreement are not binding on the warranty provider.

2.3 Limitations in the warranty

The warranty applies on condition that the product is used in the normal manner or under equivalent circumstances and that the user instructions are followed.

The warranty does not cover faults that are caused by:

- Transport of the product.
- Unintended use or overloading of the product.
- Failure on the part of the user to follow the instructions regarding installation, use, maintenance and care.
- Incorrect installation or incorrect positioning of the product.
- Conditions that are not the responsibility of the warranty provider, e.g. excessive variations in voltage, lightning strike, fire and other accidents.
- Repairs, maintenance and changes that are performed by unauthorised parties.

The warranty does not cover:

- Faults that do not affect operation, for example scratches to the surfaces.
- Parts that are exposed to greater risk of fault than normal due to handling or normal wear and tear, for example lamps, glass, ceramics, paper or plastic parts, filters and fuses.
- Settings, information on use, care, service or cleaning that are typically described in the user instructions, or damage that is caused by the user failing to observe warnings or installation instructions, or inspection of such.

The warranty provider is only responsible for the operation if approved accessories are used. The warranty does not cover product faults that are caused by other manufacturers' accessories or equipment.

The unit's current settings must be recorded in the installation and assembly instructions at installation in order to avoid costs in the event of fault. The warranty provider is not responsible for costs such as adjustment costs when changing fans and mainboards in the unit.

2.4 Service conditions during the warranty period

The conditions apply according to the agreement with the local dealer.

2.5 Corrective measures in the event of detected faults

If a fault is detected, the customer must notify this to the dealer.

Shipping damage must be notified to the shipping agent upon delivery. State which product applies (part and serial number as per the name plate) and describe the fault and how this has occurred as accurately as possible.

In order for warranty repair to be performed, the customer must demonstrate that the warranty is valid by presenting a purchase receipt. Once the warranty period has expired, claims that were not made in writing before expiry of the warranty period will not be valid. In other regards, this shall occur in accordance with the sales conditions.

3 Transport and storage

3.1 General

The fan must be transported in its packing until installation. This prevents transport damages, scratches and the fan from getting dirty.

The fan must be stored in a protected and dry space before installation.

3.2 Checking the delivery

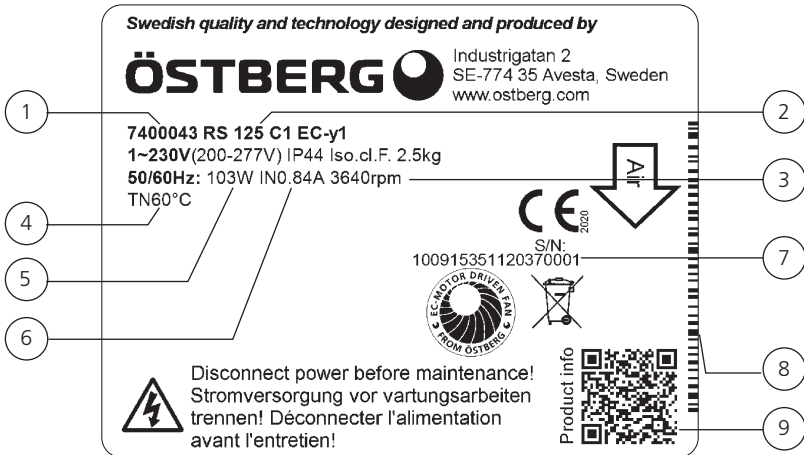
1. Inspect the unit carefully upon delivery to check for any damage that may have occurred during transport. Immediately inform the manufacturer in the event of severe damage. Note! The manufacturer cannot be held liable for damage to the fan during transport, even if the manufacturer has appointed the shipping agent.
2. Check that the delivery contains all ordered parts.
The following parts will be included in the delivery:
 - Manual for installation, operation and maintenance.
3. Contact your dealer if anything is missing.

4 Product overview and use

4.1 Product description

- The RS is an exhaust fans designed for mounting on an outside wall.
- The casings are manufactured from painted galvanized steel for higher durability.
- The fan is equipped with an AC or EC external rotor induction motor with maintenance-free sealed ball-bearings.
- The fan is used for transportation of “clean” air, meaning not intended for fire-dangerous substances, explosives, grinding dust, soot, etc.
- All fans are as standard, single phase 230V, 50 Hz and some also 220V, 60 Hz.
- The fan is intended to be used at the highest voltage and frequency that’s stated on the label on the fan.

4.2 Product label



Example of product label

- 1 Item number
- 2 Product name
- 3 RPM at maximum power
- 4 Max temperature of transported air
- 5 Maximum power
- 6 Current at maximum power
- 7 Serial number
- 8 Serial number as bar code
- 9 QR-code for product web page

5 Installation



WARNING!

Power must be cut before work can be started.



WARNING!

Make sure that the power is cut during the installation.



WARNING!

The fan may not be started until the installation is completely finished and the duct have been connected.



WARNING!

All electrical installations must be performed by a qualified electrician



WARNING!

The fan must be connected to duct or equipped with a safety grille.



WARNING!

The fan should be installed in a safe way and make sure that no foreign objects are left behind.



WARNING!

The fan should be installed in a way that makes service and maintenance easy.



WARNING!

All operations on the fan and its peripheral equipment must be performed in accordance with local laws and regulations.



WARNING!

Rotating, hot and electrical components can cause serious injuries.



WARNING!

Electrical installation must be connected to a locally situated isolator switch or by a lockable main switch.



CAUTION!

Installation and commissioning must be performed by a professional.

Preparations

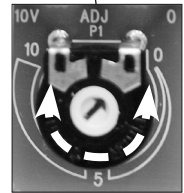
- The fan is designed for mounting on an external wall or ground work.
- Make sure the placement of the fan does not cause any inconvenience for neighbours etc.
- The fan should be installed in a way that vibrations can not be transfused to duct or building. To provide this, use for example a duct clamp.
- The fan must be installed with the air direction downwards.
- Before installation, check that the fan has the correct marking for the current electrical connection.
- For wiring diagram please see the lid of the junction box.
- Control that the fan is installed and connected electrically in the right way, grounded and with motor protection.
- For single phase fans a residual current device is used (type A).

AC-motor

- For speed regulation of AC motor a transformer or thyristor can be connected.
- The AC motor has a built-in thermal contact.

EC-motor

- Speed regulating of EC motor can be done with the built-in potentiometer, 0-10 V. An external potentiometer can be connected to the terminal if necessary. The internal potentiometer should then be disconnected.
- Some EC motors has tachometer output one pulse per revolution.
- EMC-compatible installation of EXTERNAL control lines: The control cable must not be longer than 30 m. Screened control cables must be used when the cable length is longer than 20 m. When using a shielded cable connect the shielding to one side only, i.e. only to the device with the protective ground (keep cable short and with as little inductance as possible!). Pay attention to sufficient distance from power lines and motor wires to prevent interferences. Attention! Ensure correct polarity! Never apply line voltage to analog inputs!
- The EC motor has electronically thermal-/overvoltage protection.



No other preparations are required.

Tools

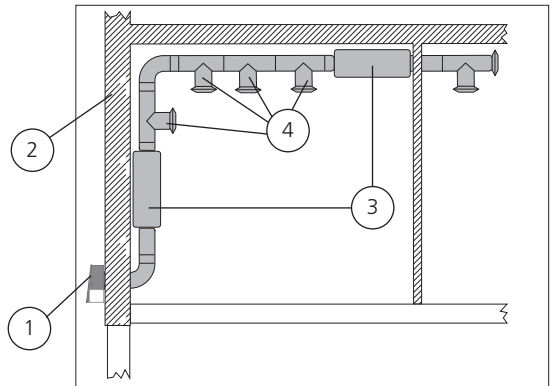
- Screwdriver

Material

- Fastener that is suitable for the construction and condition of the wall
- Pipe clip or flange with surrounding insulation

5.1 Mounting principles

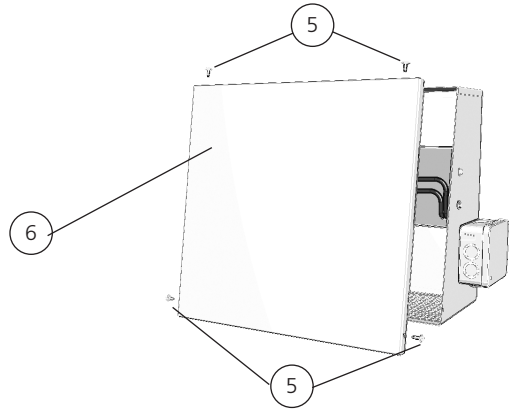
- ① RS wall fan
- ② Exterior wall
- ③ Silencer
- ④ Exhaust diffusers



5.2 Installation

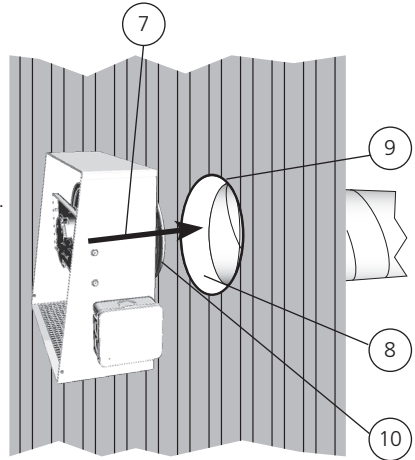
Remove the lid of the fan.

- 5 Losen the screws.
- 6 Lift off the lid.



Placement.

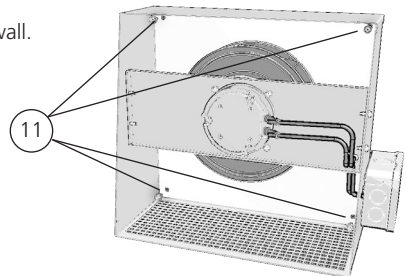
- 7 The wall fan is mounted to duct, such as spiro.
- 8 Make the lead-through sealing accurately to avoid moisture damage on the building.
- 9 Apply sealant between the top of the fan and the wall.
- 10 Insulate the outside of the duct to avoid condensation and downdraughts.



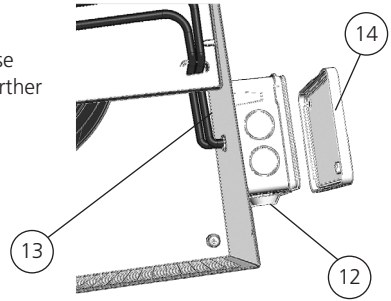
Mounting.

- 11 Secure the fan with screws that is suitable for the construction and condition of the wall.

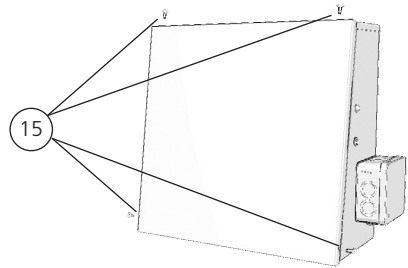
There are screw holes in all four corners.



- 12 Install possible peripheral equipment.
- 13 Make sure that the motor cable is not too close to the fan wheel. The cable can be drawn further into the junction box.
- 14 Refit the lid of the junction box.



- 15 Refit the lid on the fan and tighten the screws.



6 Operation



WARNING!

The fan must be duct connected and the lid closed and locked before the fan is started in order to avoid the risk of personal injury from rotating parts..



CAUTION!

To achieve maximum life time for installations in damp or cold environments, the fan should be operating continuously.

For technical data please see the product label.

Before starting, make sure that:

- the current does not exceed more than +5% of what is stated on the label.
- the supplied voltage is within +6% to -10% of the rated voltage.
- no noise appears when starting the fan.

7 Maintenance



WARNING!

Before service, maintenance or repair, disconnect power and wait until the impeller has stopped.



WARNING!

Rotating, hot and electrical components can cause serious injuries



WARNING!

In accordance with IEC 60335-2-7.12, this apparatus is not intended to be used by people (including children) who have physical, sensory or psychological impairment, or lack of experience and knowledge, unless they have received guidance and instruction on how to use the apparatus by a person who is responsible for their safety. Children must be supervised to ensure that they do not play with the apparatus.



CAUTION!

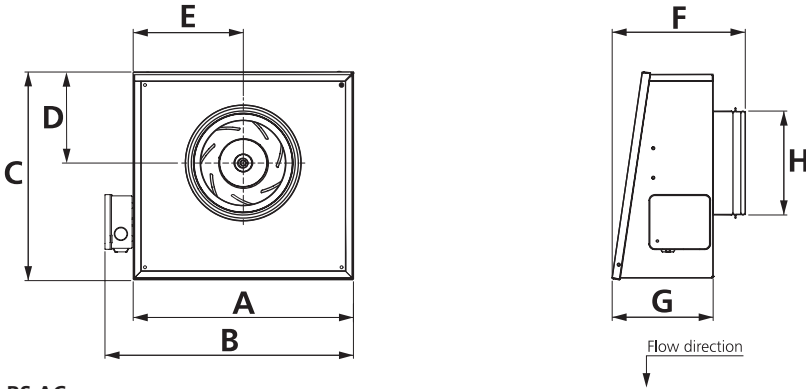
Temperatures up to 85°C can be present on the controller housing (only for EC motor).

- The fan must be cleaned regularly, at least once a year to maintain the capacity and to avoid unbalance which may cause unnecessary damage of the bearings.
- When cleaning the fan, high-pressure cleaning or strong dissolvent must not be used. Cleaning should be done without displacing or damaging the impeller.
- The capacitor (only for AC motor) has finite lifetime and should be exchanged after 45.000 operation hours (about 5 years of operation) to secure maximum function. Defective capacitor can cause damage.
- NOTE! Temperatures up to 85°C can be present on the controller housing (only for EC motor).
- **Waiting period of at least 3 minutes!** (only for EC motor) Because of internal capacitors, danger of death exists even after switching off the device through directly touching the energized parts or due to parts that have become energized due to faults. The controller housing may only be removed or opened when the power line has been switched off and a period of three minutes has elapsed since switching it off.
- The fan bearings are maintenance-free and should be replaced only when necessary.
- Make sure that there is no noise from the fan.

8 Technical data

For further technical data, see <https://fsp.ostberg.com>.

8.1 Dimensions



RS AC

(mm)	A	B	C	D	E	F	G	H
RS 80 A/C	230	273	252	104	115	170	122	Ø 80
RS 100 A/C	230	273	252	104	115	170	122	Ø 100
RS 125 A/C	230	273	252	104	115	170	122	Ø 125
RS 160 A/C	332	375	310	135	166	195	147	Ø 160

RS EC

(mm)	A	B	C	D	E	F	G	H
RS 100 C1	234	277	257	106	117	170	132	Ø 100
RS 125 C1	234	277	257	106	117	180	132	Ø 125
RS 160 A1/C1	336	379	317	139	168	201	154	Ø 160
RS 200 Y1	336	379	371	135	168	229	181	Ø 200
RS 250 y1	425	468	398	178	213	268	222	Ø 250
RS 315 y1	425	468	398	178	213	268	222	Ø 315

9 Troubleshooting

1. Make sure that the power is connected to the fan.
2. Disconnect the power and verify that the impeller is not blocked.
3. Check the thermal contact (only for AC). If it is triggered the cause of overheating must be investigated and taken care of. To restore the manual thermo-protector the power must be disconnected for a couple of minutes. In case of automatic thermo-protector the resetting will be done automatically when the motor has cooled down.
4. Make sure that the capacitor is connected according to the wiring diagram (only for AC).
5. If the fan still does not work, the first thing to do is to replace the capacitor (only for AC).
6. If the previous steps doesn't solve the problem, contact your fan supplier.
7. If the fan is returned to the supplier, it must be cleaned, the motor cable must be undamaged and a detailed fault description must be enclosed.

Tillverkaren kan inte hållas ansvarig för skador på människor eller egendom som orsakats av felaktig installation, driftsättning och/eller felaktig användning av produkten. I händelse av skada som orsakats på grund av att instruktionerna inte efterföljts blir garantin omedelbart ogiltig. Installation och driftsättning måste utföras av en fackman för att garantin ska gälla.

Genvägar:

- Länkar till produktinformation på www.ostberg.com
- Ladda ned kopplingscheman och teknisk data via produktlänkarna nedan.

RS AC



RS EC



	Innehåll
1 Säkerhet	18
1.1 Uppmaningar.....	18
1.2 Allmän säkerhet	18
1.3 Försäkran om överensstämmelse.....	19
2 Garanti	20
2.1 Garantins omfattning.	20
2.2 Allmänna begränsningar i garantin.....	20
2.3 Begränsningar i garantin.....	20
2.4 Servicevillkor under garantiperioden	20
2.5 Korrigeringsåtgärder vid upptäckta fel.....	21
3 Transport och förvaring	21
3.1 Allmänt.....	21
3.2 Verifiera leveransen	21
4 Produktöversikt och användning	22
4.1 Produktbeskrivning.....	22
4.2 Produktetikett	22
5 Installation	23
5.1 Monteringsprinciper	24
5.2 Installation	25
6 Drift	26
7 Underhåll	27
8 Tekniska data	28
8.1 Mått.....	28
9 Felsökning	29

1 Säkerhet

1.1 Uppmaningar

**VARNING!**

En varning anger risk för personskada.

**AKTAS!**

Aktas anger risk för skada på utrustning.

1.2 Allmän säkerhet

**VARNING!**

Alla elinstallationer måste utföras av en behörig elektriker.

**VARNING!**

Se till att strömkabeln inte skadas under montering och installation.

**VARNING!**

Fläkten får inte startas innan installationen är helt klar och kanalerna har anslutits.

**VARNING!**

Alla åtgärder på fläkten och dess kringutrustning måste utföras i enlighet med lokala lagar och bestämmelser.

**VARNING!**

Se upp för vassa kanter och hörn på fläkten.

**VARNING!**

Roterande, varma och elektriska komponenter kan orsaka allvarliga skador.

**VARNING!**

Fläkten ska användas för transport av ren luft, m.a.o den är ej avsedd för transport av brand- och explosionsfarliga ämnen, slipdamm, sot, o.dyl.

**AKTAS!**

Kondensatorn har begränsad livslängd och bör bytas efter 45.000 driftstimmar (ca 5 års kontinuerlig användning) för bibehållen fläktfunktion. Defekt kondensator kan orsaka skada.

1.3 Försäkran om överensstämmelse



EU-FÖRSÄKRAN OM ÖVERENSSTÄMMELSE

Vi intygar härmed att våra produkter uppfyller kraven i nedan angivna EU-direktiv och harmoniserande standarder och förordningar.

Tillverkare: H. ÖSTBERG AB
 Industrigatan 2
 774 35 Avesta
 Tel nr 0226 - 860 00
 Fax nr 0226 - 860 05
<http://www.ostberg.com>
info@ostberg.com
 Org. nr 556301-2201



Produkter: Kanallåtar: CK, RK, RKC, RKB, LPKB, LPKBS, IRE, IRB, BFS, BFC
 Vaggflåtar: CV, KV, RS
 Takflåtar: TKS, TKC, TKV, TKH
 Frånluftsflåtar: IFK, IFA, CAU
 Tilluftsagregat: SAU

Denna EU-Försäkran gäller produkter inklusive våra tillbehör för montering och installation endast om installation har skett i enlighet med bifogade installationsanvisningar samt att produkten ej har modifierats.

Lågspänningsdirektivet (LVD) 2014/35/EU

Harmoniserande standarder:

- EN 60335-1:2012, AC 1, A 13 R1, A 11, A 12, A 13, A 1, A 14, A2, Elektriska hushållsapparater och liknande bruksföremål - Säkerhet - Del 1: Allmänna fordringar
 - EN 60335-2-80:2003, A 1, A 2, Elektriska hushållsapparater och liknande bruksföremål - Säkerhet - Del 2: Särskilda fordringar på flåtar*
 - EN 62233:2008 Hushållsapparater och liknande bruksföremål - Mätning av elektromagnetiska fält med avseende på exponering
- * Avsteg avseende avsnitt 24.101 förekommer. Automatisk återställning av temperaturkontakt kan medföra plötslig start jämförbart med den vid behovsstyrd ventilation. Dessa risker reduceras med fasta skydd och varningar.

Direktivet för elektromagnetisk kompatibilitet (EMC) 2014/30/EU

Harmoniserande standarder:

- SS-EN IEC 61000-6-1:2019 Elektromagnetisk kompatibilitet (EMC) - Generella fordringar - Immunitet hos utrustning i bostäder, kontor, butiker och liknande miljöer
- SS-EN IEC 61000-6-2:2019 Elektromagnetisk kompatibilitet (EMC) - Generella fordringar - Immunitet hos utrustning i industrimiljö
- SS-EN 61000-6-3:2007, A1, Elektromagnetisk kompatibilitet (EMC) - Generella fordringar - Emission från utrustning i bostäder, kontor, butiker och liknande miljöer
- SS-EN IEC 61000-6-4:2019 Elektromagnetisk kompatibilitet (EMC) - Generella fordringar - Emission från utrustning i industrimiljö

Maskindirektivet (MD) 2006/42/EG

Harmoniserande standarder:

- EN ISO 12100:2010 Maskinsäkerhet - Allmänna konstruktionsprinciper - Riskbedömning och riskreducering
- EN ISO 13857:2019 Maskinsäkerhet - Skyddsavstånd för att hindra att armar och ben når in i riskområden
- EN 60204-1:2018 Maskinsäkerhet - Maskiners elutrustning - Del 1: Allmänna fordringar

Ekodesigndirektivet 2009/125/EG

Harmoniserande förordningar:

- 1253/2014 Krav på ekodesign för ventilationsenheter
 - 1254/2014 Energimärkning av ventilationsenheter för bostäder (I förekommande fall)
- Standarder
- SS-EN 13141-4, SS-EN 13141-8, SS-EN 13141-11 eller EN 13053

RoHS 2011/65/EU, 2015/863/EU

Harmoniserade standarder:

- EN IEC 63000:2018

Avesta 2021-11-16


 Mikael Östberg
 Product Manager

This document is digitally signed.

2 Garanti

Garantis giltighetstid enligt köpeavtalet beräknas från inköpsdagen.

2.1 Garantins omfattning

Garantin omfattar fel som uppkommer under garantiperioden som har meddelats handlaren eller som verifierats av H.Östberg AB (garant) eller garantigivarens representant. Felen avser defekter i tillverkning, material samt följdfelet som uppstår på grund av detta.

Ovan nämnda fel ska åtgärdas så att produkten blir funktionsduglig.

2.2 Allmänna begränsningar i garantin

Garantigivarens ansvar är begränsat enligt dessa garantivillkor och garantin omfattar inte skada på person eller egendom. Muntliga löften som gjorts i tillägg till garantiavtalet är inte bindande för garantigivaren.

2.3 Begränsningar i garantin

Garantin gäller under förutsättning att produkten används på normalt sätt eller under motsvarande omständigheter och att användarinstruktionerna följs.

Garantin omfattar inte fel som orsakats av:

- Transport av produkten.
- Oförsiktig användning eller överbelastning av produkten.
- Underlåtenhet från användarens sida att följa instruktionerna avseende installation, användning, underhåll och skötsel.
- Felaktig installation eller felaktig placering av produkten.
- Förutsättningar som inte är garantigivarens ansvar, t.ex. allt för stora spänningsvariationer, blixtnedslag, brand och andra olyckor.
- Reparationer, underhåll och ändringar som utförts av icke auktoriserad part.

Garantin omfattar inte:

- Fel som inte påverkar driften, som till exempel repor på ytorna.
- Delar som genom hantering eller normalt slitage är utsatta för större felrisk än normalt, till exempel lampor, glas, keramik, delar av papper eller plast, filter och säkringar.
- Inställningar, information om användning, skötsel, service eller rengöring som vanligtvis beskrivs i användarinstruktionerna, eller skada som orsakats av att användaren inte observerat varningar eller installationsinstruktioner, eller undersökning av sådant.

Garantigivaren är endast ansvarig för driften om godkända tillbehör används. Garantin omfattar inte produktfel som orsakats av tillbehör eller utrustning från andra tillverkare.

Aggregatets nuvarande inställningar ska antecknas i installations- och monteringsinstruktionerna vid installationen för att undvika kostnader i händelse av fel. Garantigivaren är inte ansvarig för kostnader som till exempel injusteringskostnader vid byte av fläktar och styrkort i aggregatet.

2.4 Servicevillkor under garantiperioden

Villkoren gäller enligt avtalet med den lokala återförsäljaren.

2.5 Korrigeringsåtgärder vid upptäckta fel

Om ett fel upptäcks ska kunden meddela detta till återförsäljaren.

Fraktskador ska anmälas till speditören vid leverans. Ange vilken produkt det gäller (del och serie-nummer enligt namnplåten) och beskriv felet och hur det uppstått så noggrant som möjligt.

För att garantireparation ska utföras måste kunden bevisa att garantin är giltig genom att uppvisa ett kvitto på inköpet. Efter att garantiperioden löpt ut kommer skadeanspråk som inte gjorts skriftligen innan garantiperioden löpt ut inte att gälla. I övriga hänseenden ska detta ske i enlighet med försäljningsvillkoren.

3 Transport och förvaring

3.1 Allmänt

Fläkten ska transporteras i emballage fram till installationsplatsen. Detta för att förhindra transportskador, repor och nedsmutsning.

Fläkten ska förvaras i ett skyddat och torrt utrymme innan installation.

3.2 Verifiera leveransen

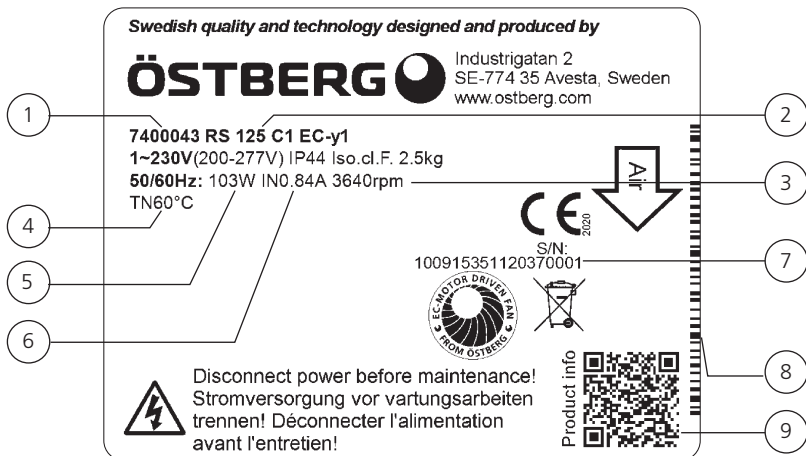
1. Vid leverans ska fläkten inspekteras noga för att upptäcka eventuella skador som kan ha uppstått under transporten. Vid allvarliga skador ska tillverkaren underrättas omedelbart. OBS! Tillverkaren kan inte hållas ansvarig för skador på aggregatet under transport, även om speditören har anlitats av tillverkaren.
2. Verifiera att leveransen innehåller alla beställda delar. Följande delar ska ingå i leveransen:
 - Manual för installation och drift.
3. Kontakta din återförsäljare om något saknas.

4 Produktöversikt och användning

4.1 Produktbeskrivning

- RS är en frånluftsfläkt för montering på yttervägg.
- Fläkthöljet är tillverkat av lackerad galvaniserad stålplåt för bästa hållbarhet.
- Fläkten är försedd med en AC- eller EC-asykronmotor av ytterrotortyp, som har underhållsfria dubbelkapslade kullager.
- Fläkten ska användas för transport av ren luft, m.a.o den är ej avsedd för transport av brand- och explosionsfarliga ämnen, slipdamm, sot, o.dyl.
- Samtliga fläktar är som standard enfas 230V, 50Hz och vissa fläktar även 220V, 60Hz.
- Fläkten är avsedd att användas vid högst den spänning och frekvens som är angiven på fläktens produktetikett.

4.2 Produktetikett



Exempel på produktetikett

- 1 Artikelnummer
- 2 Produktnamn
- 3 Varvtal vid maximal effekt
- 4 Max temperatur på transporterad luft
- 5 Maximal effekt
- 6 Ström vid maximal effekt
- 7 Serienummer
- 8 Serienummer som streckkod
- 9 QR-kod till produkt hemsida

5 Installation



WARNING!

Fläkten måste vara strömlös innan arbete kan påbörjas.



WARNING!

Se till att elektriciteten är avstängd under hela monteringsprocessen.



WARNING!

Fläkten får inte startas innan installationen är helt klar och kanalerna har anslutits.



WARNING!

Alla elinstallationer måste utföras av en behörig elektriker.



WARNING!

Fläkten kanalanslutes eller förses med beröringsskydd.



WARNING!

Fläkten ska monteras på ett säkert sätt. Tillse att inga främmande föremål ligger kvar i fläkt/kanal.



WARNING!

Fläkten ska monteras på ett sådant sätt att service och underhåll kan utföras.



WARNING!

Alla åtgärder på fläkten och dess kringutrustning måste utföras i enlighet med lokala lagar och bestämmelser.



WARNING!

Roterande, varma och elektriska komponenter kan orsaka allvarliga skador.



WARNING!

Elinstallation ska ske via allpolig strömbrytare i nära anslutning till fläkten eller via läsbar huvudströmställare.



AKTAS!

Installation och driftsättning måste utföras av fackman.

Förberedelser

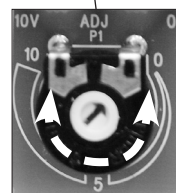
- Fläkten är avsedd för montering på yttervägg eller husgrund.
- Fläkten placeras så att ingen olägenhet uppstår för omgivningen.
- Fläkten ska monteras så att vibrationer ej kan överföras till kanalsystem och byggnadsstomme. Använd t.ex montageklammer.
- Fläkten monteras med luftriktning nedåt.
- Innan montering påbörjas, kontrollera att fläkten har rätt märkning för gällande elektrisk anslutning.
- Ett kopplingsschema finns applicerad på insidan av eldosans lock.
- Kontrollera att fläkten är monterad och elektriskt ansluten på rätt sätt med skyddsjord och motorskydd.
- Till enfasfläktar används jordfelsbrytare (typ A).

AC-motor

- För varvvalsreglering av AC-motor kan transformator/tyristor anslutas.
- AC-motorn har inbyggd termokontakt.

EC-motor

- Varvvalsreglering av EC-motor kan göras med den inbyggda potentiometern 0-10 V. En extern potentiometer kan anslutas till plint vid behov. Den interna potentiometern ska då kopplas bort.
- Vissa EC-motorer har varvvalsutgång (tacho) 1 puls per varv.
- EMC-KOMPATIBEL INSTALLATION AV EXTERNA STYRLEDNINGAR: Eventuell styrkabel ska ej vara längre än 30 m. Om styrkabel är över 20 m används skärmad kabel. När en skärmad kabel används ansluts skärmen till endast en sida, d.v.s endast till enheten med skyddsjord (håll sladden kort och med så lite induktans som möjligt!) Se till att det är tillräckligt avstånd mellan elledning och motorns styrkablar för att undvika störningar. OBS! Säkerställ rätt polaritet! Anslut aldrig nätspänning på analoga ingångar!
- EC-motorn har elektroniskt termo-/överströmsskydd.



Inga andra förberedelser krävs.

Verktyg

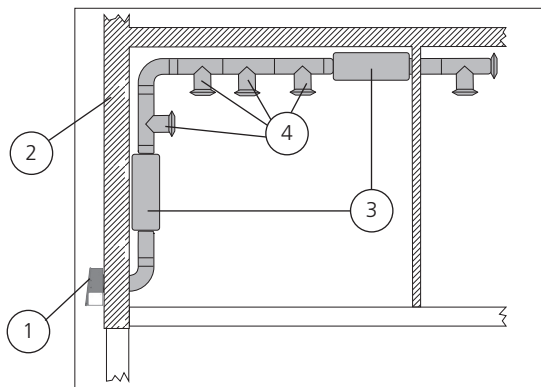
- Spårskruvmejsel

Material

- Fästelement som är lämpliga för väggens konstruktion och skick
- Rörklämma eller fläns med omgivande isolering

5.1 Monteringsprinciper

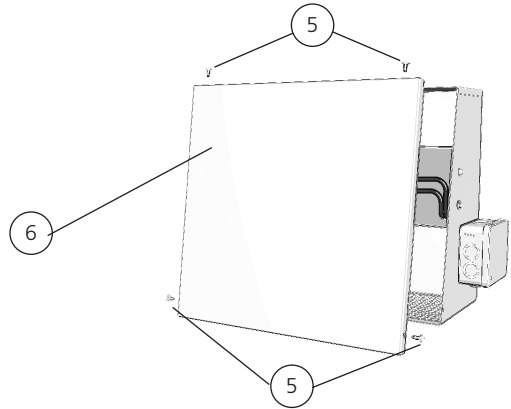
- 1 RS väggfläkt
- 2 Yttervägg
- 3 Ljuddämpare
- 4 Frånluftsdon



5.2 Installation

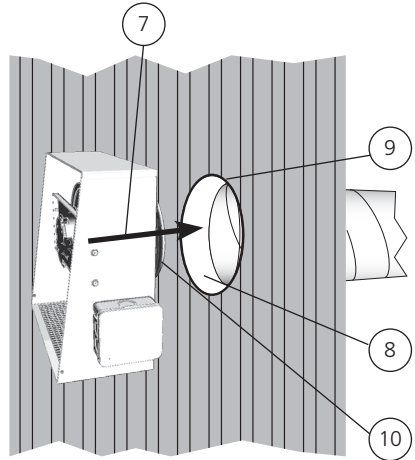
Demontera fläktens lucka.

- 5 Lossa skruvarna.
- 6 Lyft av luckan.



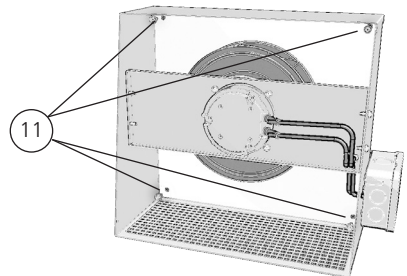
Placering.

- 7 Vägghäkten monteras mot kanal, typ spirorör.
- 8 Var noggrann med tätningen av genomföringen vid yttervägg för att undvika vattenskador på byggnaden.
- 9 Täta fläkten i överkant mot vägg.
- 10 Isolera röret utvändigt för att förhindra kondensbildning och kallras.

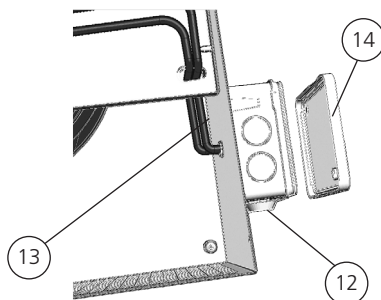


Montering.

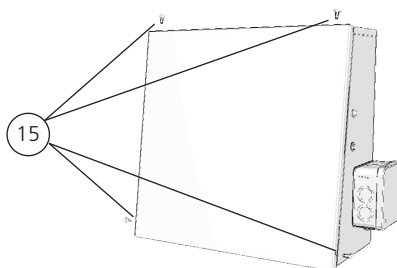
- 11 Fäst fläkten med lämpligt skruv för aktuellt underlag. Hål för festsättning finns invändigt i alla fyra hörnen.



- 12 Installera eventuell kringutrustning.
- 13 Kontrollera att kabeln från motorn inte ligger för nära fläkthjulet, dra ev. kabeln längre in i kopplingsdosan.
- 14 Montera tillbaka locket på kopplingsdosan.



- 15 Montera tillbaka locket på fläkten och skruva åt skruvarna.



6 Drift



VARNING!

Fläkten måste vara kanalansluten, locket stängt innan fläkten startas för att undvika risk för personskada av roterande delar.



AKTAS!

För maximal livslängd vid installation i fuktiga eller kalla utrymmen, bör fläkten vara i kontinuerlig drift.

För tekniska data se produktetikett.

Vid idrifttagande kontrollera att:

- strömstyrkan inte överstiger den på etiketten angivna, med mer än 5%.
- anslutningsspänningen ligger inom +6% till -10% av märkspänningen.
- inga missljud hörs vid uppstart.

7 Underhåll



VARNING!

Innan service, underhåll eller reparation påbörjas måste fläkten göras spänningslös (allpolig brytning) och fläkthjulet ha stannat.



VARNING!

Roterande, varma och elektriska komponenter kan orsaka allvarliga skador.



VARNING!

I enlighet med IEC 60335-2-7.12 är den här apparaten inte avsedd att användas av personer (inklusive barn) som har nedsatta fysiska, givareiska eller mentala färdigheter, eller brist på erfarenhet och kunskap, såvida de inte har fått vägledning eller instruktion om hur man använder apparaten av en person som har ansvar för deras säkerhet. Barn måste vara under uppsikt för att säkerställa att de inte leker med apparaten.



AKTAS!

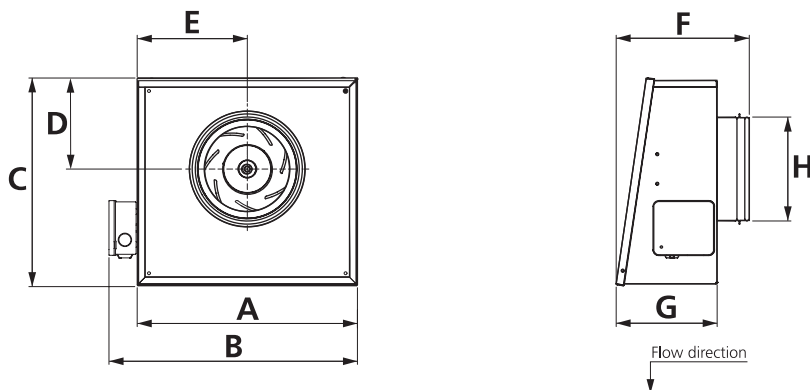
Styrenhetens hölje kan få temperaturer upp till 85°C (gäller EC-motor).

- Fläkten ska rengöras vid behov, dock minst 1 gång/år för att bibehålla kapaciteten och undvika obalans med onödiga lagerskador som följd.
- Vid rengöring av fläkten får högtryckstvätt eller starka lösningsmedel ej användas. Rengöring måste ske på ett sådant sätt att fläkthjulets balansvikter ej rubbas eller fläkthjulet skadas.
- Kondensatorn (gäller endast AC-motor) har begränsad livslängd och bör bytas efter 45.000 driftstimmor (ca 5 års kontinuerlig användning) för bibehållen fläkthjulets funktion. Defekt kondensator kan orsaka skada.
- OBS! Styrenhetens hölje kan få temperaturer upp till 85°C (gäller EC-motor).
- **Väntetid på minst 3 minuter!** (gäller EC-motor) P.g.a interna kondensatorer i motorn finns risk för olycksfall även efter det att avstängning av enheten skett vid direkt beröring av strömförande delar eller på grund av delar som blivit strömförande på grund av fel. Styrenhetshöljet får endast tas bort eller öppnas när kraftledningen har varit avstängd i minst tre minuter.
- Fläktens lager är underhållsfria och ska endast bytas vid behov.
- Kontrollera att inga missljud hörs från fläkten.

8 Tekniska data

För övriga aktuella tekniska data, vänligen se <https://fsp.ostberg.com>.

8.1 Mått



RS AC

(mm)	A	B	C	D	E	F	G	H
RS 80 A/C	230	273	252	104	115	170	122	Ø 80
RS 100 A/C	230	273	252	104	115	170	122	Ø 100
RS 125 A/C	230	273	252	104	115	170	122	Ø 125
RS 160 A/C	332	375	310	135	166	195	147	Ø 160

RS EC

(mm)	A	B	C	D	E	F	G	H
RS 100 C1	234	277	257	106	117	170	132	Ø 100
RS 125 C1	234	277	257	106	117	180	132	Ø 125
RS 160 A1/C1	336	379	317	139	168	201	154	Ø 160
RS 200 Y1	336	379	371	135	168	229	181	Ø 200
RS 250 y1	425	468	398	178	213	268	222	Ø 250
RS 315 y1	425	468	398	178	213	268	222	Ø 315

9 Felsökning

1. Kontrollera att det finns spänning till fläkten.
2. Bryt spänningen och kontrollera att fläkthjulet ej är blockerat.
3. Kontrollera termokontakt (gäller AC). Om denna löst ut bör orsaken till överhettning åtgärdas för att inte felet skall upprepas. För återställning av manuell termokontakt ska tillförd spänning brytas i ett par minuter, så att termokontakten hinner återgå. För automatisk termokontakt sker återställning automatiskt efter att motorn svalnat.
4. Kontrollera att driftkondensatorn är ansluten (gäller AC), se kopplingschema.
5. Om fläkten ändå inte fungerar bör första åtgärd vara att byta kondensator (gäller AC).
6. Om ingen av dessa åtgärder hjälper, kontakta din fläktleverantör.
7. Vid ev. reklamation skall fläkten vara rengjord, motorkabeln vara oskadad och en utförlig felbeskrivning bifogas.

energy
efficient
ventilation

ÖSTBERG 

H ÖSTBERG AB

Box 54, SE-774 22 Avesta, Sweden

Phone: +46 226 860 00

E-mail: info@ostberg.com

www.ostberg.com