

Shut-off damper with motor shelf

DTHU



Description

Shut-off damper with motor shelf KOMHY

Ø 80–630 consists of a DTU damper with a KOMHY combined motor shelf added. The damper has no knob, and has a longer shaft to avoid the need for extension shaft VREDF. The damper is designed to have a motor added on site.

There is a separate assembly, measuring, balancing and maintenance instruction for this product.

Ø 80–315 fullfills pressure class C in closed position.
 Ø 355–630 fullfills pressure class B in closed position.
 Ø 710–1000 fullfills pressure class A in closed position.

Motorizing

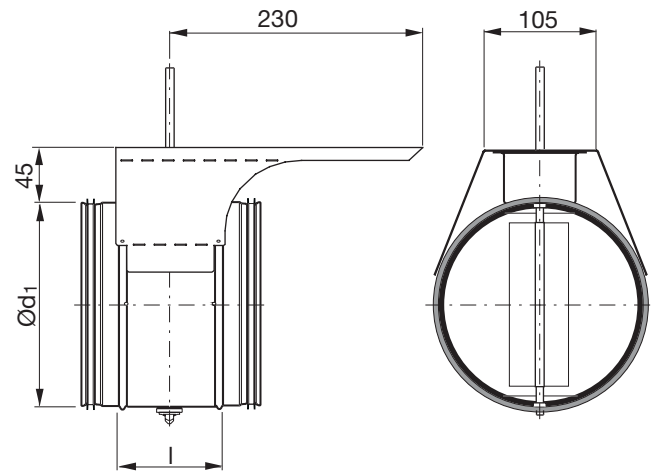
The motor shelf KOMHY is provided with suitable fixing holes for Belimo's LM, NM SM and AF motors.

Ø 900 and 1000 has two motor shelves.

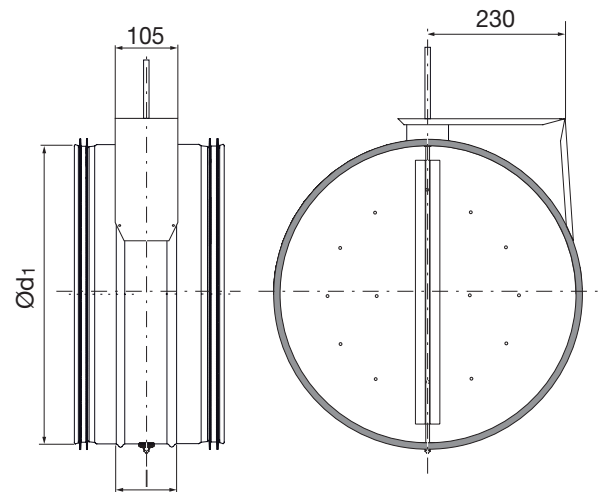
Also the dampers DRU and DSU can be ordered in this version.

Dimensions

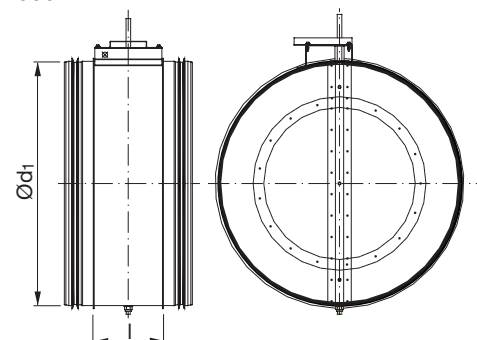
Ø 80–450



Ø 500–630



Ø 710–1000



Ordering example



Shut-off damper with motor shelf

DTHU

Dimensions

Ød ₁ nom	l [mm]	M Nm	m [kg]	Sealing class past closed blade	Shaft dimension ø mm
80	100	2,0	0,67	4	8
100	100	2,0	0,75	4	8
112	100	2,0	0,85	4	8
125	100	2,0	0,90	4	8
140	100	2,0	0,97	4	8
150	100	2,0	1,00	4	8
160	100	2,0	1,11	4	8
180	100	2,0	1,19	4	8
200	100	2,0	1,41	4	8
224	100	3,0	1,64	4	8
250	100	3,0	1,89	4	8
280	100	4,0	2,14	4	8
300	100	4,0	2,33	4	8
315	100	4,0	2,51	4	8
355	100	8,0	2,81	4	8
400	100	8,0	4,02	4	8
450	100	10	5,21	4	8
500	115	10	6,44	4	8
560	115	15	7,84	4	8
600	115	15	8,48	4	8
630	115	15	9,17	4	8
710	230	40	18,5	4	21
800	230	40	20,7	4	21
900	230	60	25,4	4	21
1000	230	60	32,6	4	21

Technical data

For technical data go to [LindQST](#).

