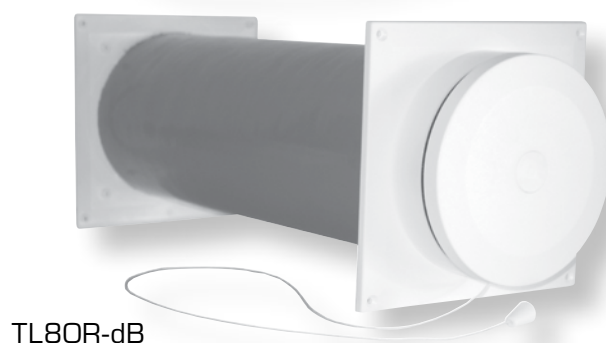


- Three opening-positions
- Condensation protected
- Regulated with/without cord
- Complete range of accessories

Fresh TL80R

Round wall vent designed to provide a continuous airflow into the building/house. The vent is supplied with filter and condensation protection. The vent has three opening-positions which is easily regulated with/without cord.

TL80R is also available in a sound reduced model (TL80R-dB).



Standard Approval Certification



Specification		
Product	Description	Art no
Fresh TL80R Bulk	Complete vent with wall pipe Ø81/85 mm and grille	628080
Fresh TL80R Int part	Internal part	248080
Fresh TL80R-dB Bulk	Complete sound-reduced vent, wall pipe Ø81/140 x 400 mm	638080
The vent can easily be adjusted to suit special requests (larger cover plates, other pipe-lengths etc)		

Techical facts	
Capacity:	8,4 l/s at 10 Pa
Wall opening:	Min. Ø86 mm or Ø150 mm for the dB-model
Material:	ABS-plastic (recyclable)
Colour:	White, RAL 9010

FRESH TL80R

Air supply vent

Description/function

Standard

Air supply unit for wall mounting. A complete set contain internal part, 2 x wall pipe, adapter and external grille. The pipes fit telescopically which provides a flexible joint.

Internal part

The internal part is supplied with standard filter and condensation protection. The front cover also functions as damper and is regulated either with a mounted cord or by pulling the cover outwards. The vent has three opening-positions and one close-position.

The cover will gradually change position for each pull (the fourth pull will close the vent). The distribution pattern can be improved by mounting an air deflector (accessory). The vent has two filter-alternatives, Standard filter and Pollen filter (EU4).

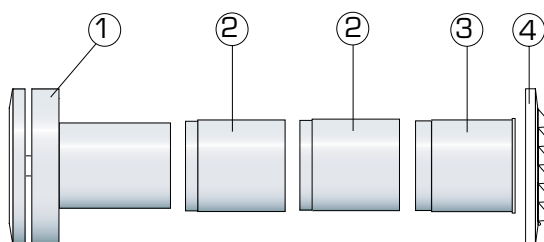
Sound-reduced vent

The sound-reduced model TL80R-dB has another wall pipe than the standard. Besides the dB-pipe the vent also contain two cover plates (#180). The internal adapter is shorten in order to give optimal sound-reduction. The pipe length is 400mm as standard but can easily be cut to requested length (max. 1200mm).

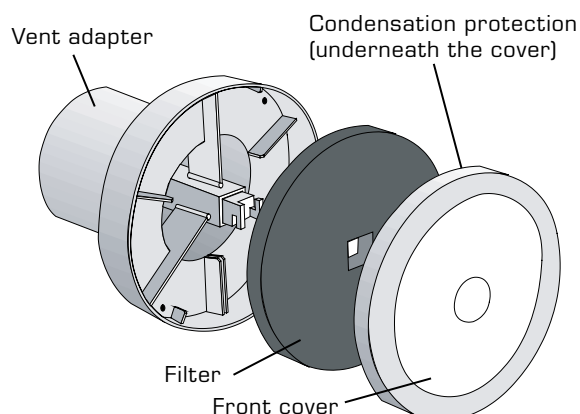
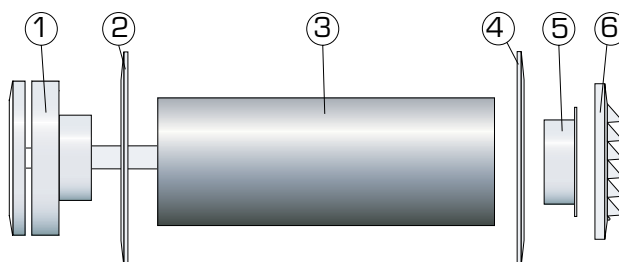
Mounting

A high placing is recommended, preferably above a radiator. With this solution the incoming air mixes with the convection flow of warm air, ensuring maximum comfort. When using the vent in rooms with underfloor-heating we recommend to use an air deflector (ensures a better mix of air and prevents draught, accessory).

TL80R		
Pos.	Description	Art no
1	TL80R Internal part	248080
2	Wall pipe Ø81/85 x 75 mm	660875
3	Adapter 8 ext. Ø81/85 x75 mm	660892
4	External grille #150 mm	801701

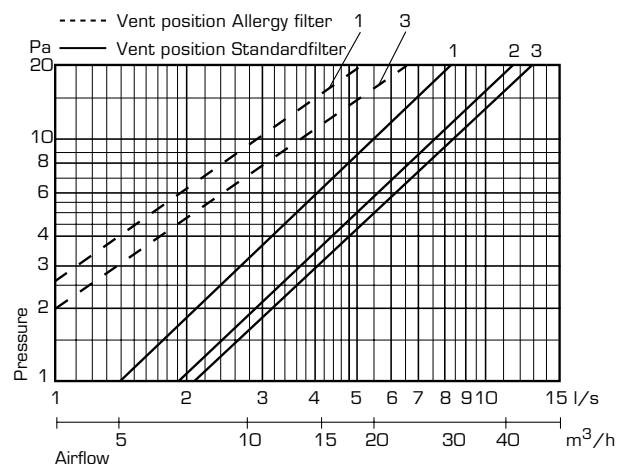


TL80R-dB		
Pos.	Description	Art no
1	TL80R Internal part	248080
2	Cover plate #180 mm	661801
3	dB-pipe Ø81/140 x 400 mm	806004
4	Cover plate #180 mm	661801
5	Adapter 8 Ø81 x 30 mm	660830
6	External grille #150 mm	801701

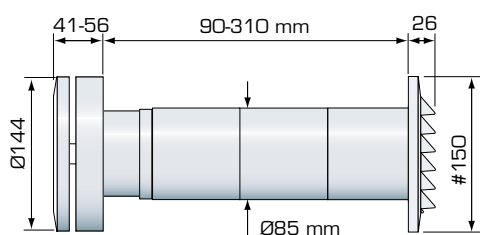


Technical data TL80R	
Capacity at 10 Pa:	8,4 l/s
Wall opening:	Min. Ø86 mm
Max wall thickness:	310 mm. Additional pipes are available.
Material:	ABS-plastic (recyclable)
Colour:	White, RAL 9010
Technical data TL80R-dB	
Wall opening:	Ø150 mm
Max wall thickness:	400 mm. For other lengths please contact Fresh AB.

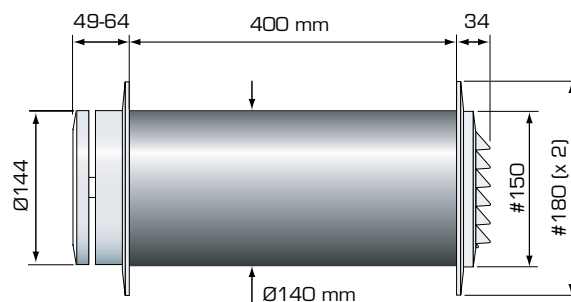
Capacity Fresh TL80/TL80-dB



Dimensions TL80R



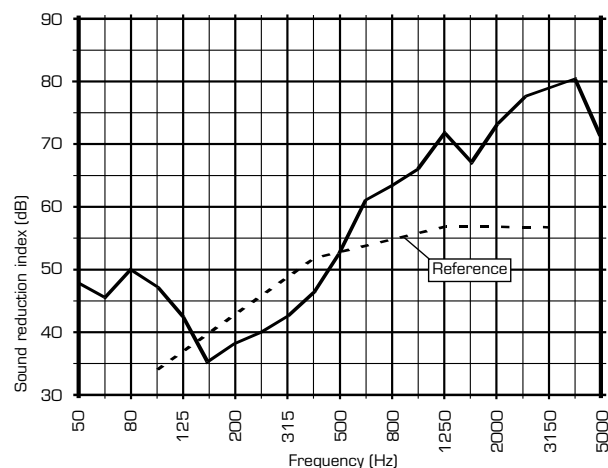
Dimensions TL80R-dB



Sound data

The diagram show sound reduction with fully open vent and 400mm pipe. Measurement according to ISO 140-10. Normalized level diff. for building section, calculation based on 10 m².

Sound data	
D n,e,w	53 dB
D n,e,w,8	53 dB
(C;Ctr)	(-1;-5)
(C;Ctr)	(0;-5)
50-5000	
Sum. Dev..	28,3
Max Dev.	6,3
Frequence	315



FRESH TL80R

Air supply vent

Distribution pattern

As shown in the diagrams below TL80R can handle up to 8 l/s even at -20°C without causing draught problems. The shaded areas indicates air movements above 0.15 m/s.

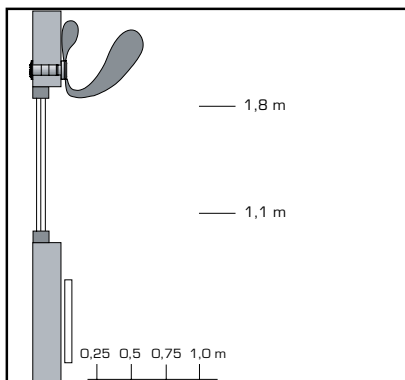
From the side

Outdoor temperature: -20°C

Indoor temperature: +20°C

Airflow: 8,0 l/s

Capacity of radiator: 750 W



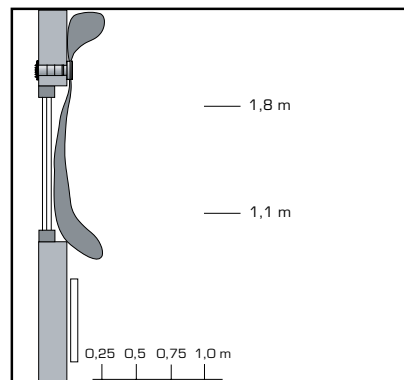
From the side

Outdoor temperature: ±0°C

Indoor temperature: +20°C

Airflow: 8,0 l/s

Capacity of radiator: 400 W



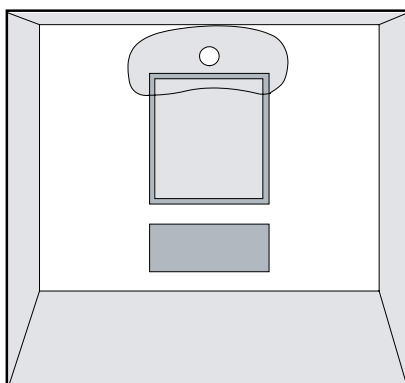
From the front

Outdoor temperature: -20°C

Indoor temperature: +20°C

Airflow: 8,0 l/s

Capacity of radiator: 750 W



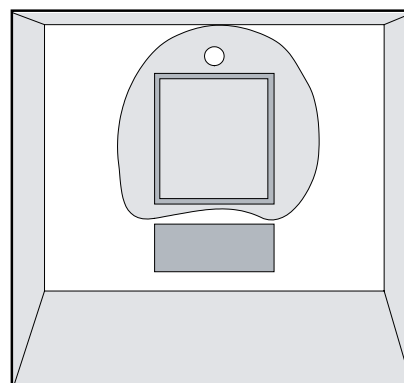
From the front

Outdoor temperature: ±0°C

Indoor temperature: +20°C

Airflow: 8,0 l/s

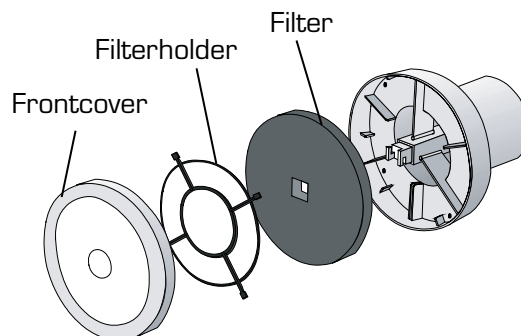
Capacity of radiator: 400 W



Maintenance

It is important to keep the filter clean in order to ensure correct airflow and to retain good air quality. We recommend to wash/replace the filter 1-2/year. The standard filter is washable (use a gentle soap/detergent). The allergy filter should be replaced with a new one.

In order to reach the filter, open the vent and turn the cover anti-clockwise. The cover's bayonet mount is now loose and the filter is accessible under the filter holder (the filter is remounted in reversed order).



Accessories



Wall pipe
Available in different sizes and lengths



Coverplate
Available in different sizes and colours



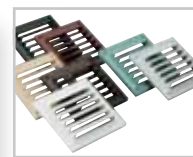
Storm shield
Ø95 mm, regulates air supply during heavy winds



Air deflector
Regulates the air direction



Filter
Pollen filter (EU3) and Environmental filter (EU7)



External grille
Available in different sizes and colours