



EcoNordic WH4/W4

INSTRUCTIONS TRANSLATED FROM ORIGINAL LANGUAGE

ART.NO. 800501, 800502

EN

USER MANUAL

Indoor Climate Central

Contents

1.	General	5
1.1.	Disclaimer	5
1.2.	Manufacturer	5
1.3.	Service and support	5
1.4.	Disposal	5
1.5.	Validation.....	5
2.	Safety	6
2.1.	Symbols and stickers.....	6
2.2.	Warnings in the manual.....	6
2.3.	General safety rules	7
3.	Overview of system.....	9
4.	Use	10
4.1.	General	10
4.2.	Logging in via local network.....	10
4.3.	Registering product for cloud computing	11
4.4.	Logging in via cloud computing	13
4.5.	System differences between Android and IOS	14
4.6.	EcoNordic W4 home screen WH4/W4.....	14
4.7.	Change ventilation mode	14
4.7.1.	Home	15
4.7.2.	Away	15
4.7.3.	High	15
4.7.4.	Fireplace.....	15
4.7.5.	Calendar	15
4.8.	Change water mode.....	15
4.8.1.	Eco	15
4.8.2.	Comfort	15
4.8.3.	Boost	16
4.9.	Heat settings	16
4.9.1.	Heating.....	16
5.	Periodic maintenance.....	17
5.1.	EcoNordic W4/WH4	17
5.2.	EcoNordic prefab module (accessory)	18
5.3.	External cleaning	20
5.4.	Opening the door	21
5.5.	Filter replacement 1	22
5.6.	Filter replacement 2	24
5.7.	Movement of safety valve	26
5.8.	Checking the drainage cup.....	27
6.	Actions to be taken in the event of an alarm.....	28
6.1.	Reset overheating protection - ventilation.....	28
6.2.	Reset overheating protection - water	29
7.	Troubleshooting.....	30
8.	EU Declaration of Conformity for CE marking.....	32

1. General

Read these instructions carefully before using the unit. Keep the instructions for future use.

1.1. Disclaimer

Our products are under constant development and we therefore reserve the right to make changes. We are not responsible for any typographical errors that may arise.

FLEXIT is not responsible or bound by warranty if these instructions are not followed during installation, operation or servicing.

FLEXIT reserves the right to modify components, specifications and other content in the documentation without notice.

FLEXIT guarantees the correct functioning of the unit only with original or specified components.

This instruction manual only describes how the product is used and contains no further information concerning installation and assembly.

1.2. Manufacturer

Flexit AS, Televeien 15, N-1870 Örje, Norway
www.flexit.com

1.3. Service and support

For questions concerning support, contact your retailer.

1.4. Disposal



The product is covered by warranty as stated in the current conditions of sale, provided that the product has been used and maintained correctly. Filters are consumable material.

The symbol on the product indicates that it must not be treated as household waste. Instead, it should be taken to a recycling centre that accepts electrical and electronic equipment. By disposing of the product correctly, you contribute to preventing the negative consequences for health and the environment that may result from incorrect treatment. For further information concerning the recycling of the product, contact your local authority, recycling centre or place of purchase.

Claims arising from faulty or inadequate installation should be made to the installation company responsible. The warranty may be invalidated by incorrect use or gross negligence in the maintenance of the unit.

1.5. Validation

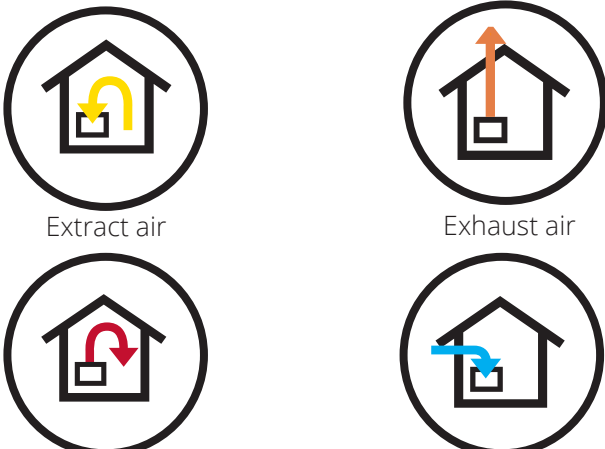
This user manual applies to EcoNordic W4.

2. Safety

2.1. Symbols and stickers

A number of symbols are used for these products. They are used both for labelling the product itself and in the installation and user documentation.

Symbols on the product




Extract air

Exhaust air

Supply air

Outdoor air

Stickers on the product



Danger: Electrical current

Danger - do not touch

Draining

Outgoing water

Incoming water

2.2. Warnings in the manual

The following types of instruction are used in the user manual.

DANGER
A text field with this colour means that life-threatening or serious injury may result if the instructions are not observed.

CAUTION
A text field with this colour means that poor efficiency or operational problems with the product may result if the instructions are not observed.

WARNING
A text field with this colour means that damage may result if the instructions are not observed.

NB
A text field with this colour means that it contains important information.

2.3. General safety rules

These safety rules must be followed when you use and maintain the system. Failure to follow them may result in injury, death or damage to the equipment.



DANGER

In order to reduce the risk of fire, electric shock or injury, read all safety instructions and warning texts before using the product.



DANGER

All electrical connections must be carried out by a qualified electrician.



DANGER

This product may be used by children over the age of eight, by persons with impaired physical, sensory or mental capacity and by persons lacking in experience and knowledge, provided that they are instructed in the safe use of the product or are supervised to ensure safe use of the product, and provided that they are aware of the risks present.



DANGER

Put the product in service mode and then disconnect the power before service is performed.

Service mode

1. Start the Flexit GO app and select the product you want to service.
2. Enter the service menu (**More > Service**)
3. Select **"Service mode"**. The product will now make a controlled shutdown. The shutdown time depends on the operating mode.
4. Switch off the all-pole switch. Service can now be carried out.



WARNING

If the water supply to the building is turned off, the EcoNordic indoor climate control centre must be set to service mode. If the product is run while the water supply is turned off, air bubbles may enter the water circuit and reduce the product's functionality and service life. In such cases, it is recommended to vent the water circuit. Contact a service technician and perform the venting process as described in Installation Instructions chap. 6.1 Commissioning.



CAUTION

This product is only intended for ventilation air in dwellings and commercial premises.



CAUTION

In order to maintain a satisfactory indoor climate, follow all directions and prevent condensation damage, the product should never be switched off except for service and maintenance or in the event of an accident.



CAUTION

The product must not be operated unless the filters are fitted.

3. Overview of system

1. Water tank

The following procedures are carried out here:

- Checking the drip tray - see ch. 5.8. Checking the drainage cup.
- Reset of overheating protection - see ch. 6.2. Reset overheating protection - water.
- Movement of safety valve - see ch. 5.7. Movement of safety valve.

2. Empty cabinet

May be used for installing additional equipment such as a central vacuum cleaner.

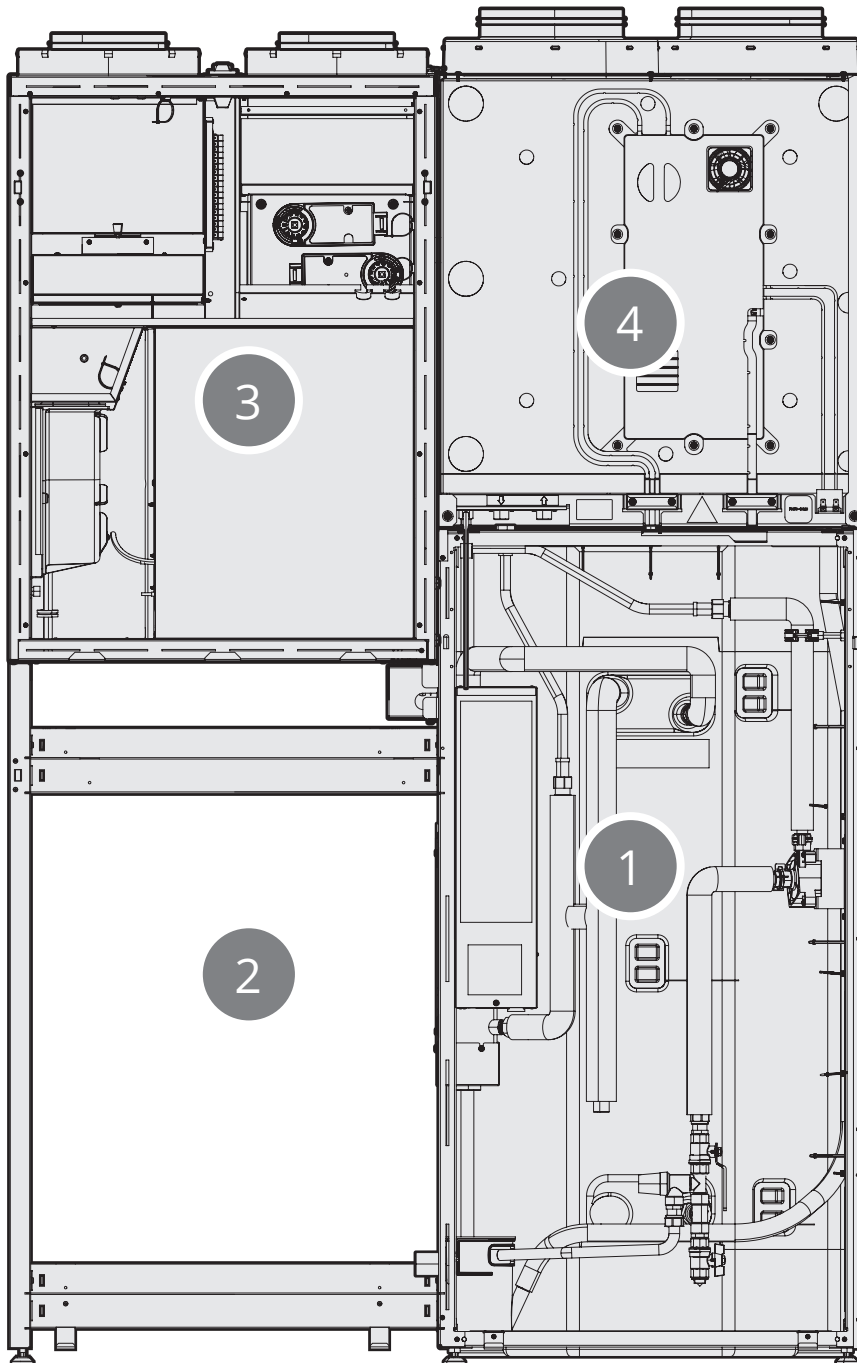
3. Air treatment

The following procedures are carried out here:

- Filter replacement - see ch. 5.5. Filter replacement 1 and ch. 5.6. Filter replacement 2.
- Reset of overheating protection - see ch. 6.1. Reset overheating protection - ventilation.

4. Heat pump

Contains refrigeration circuit for heating water.



4. Use

4.1. General

The Flexit GO app enables you to control your Flexit EcoNordic product.

There are two methods of connecting to the product: via your local network or by registering your product for cloud computing; then you only need to have internet access in order to connect.

The language of the app will automatically be the same as the one you selected on your mobile device: English (default), Norwegian, Swedish, Finnish or Danish. If you have another language, the language of the app will be English.

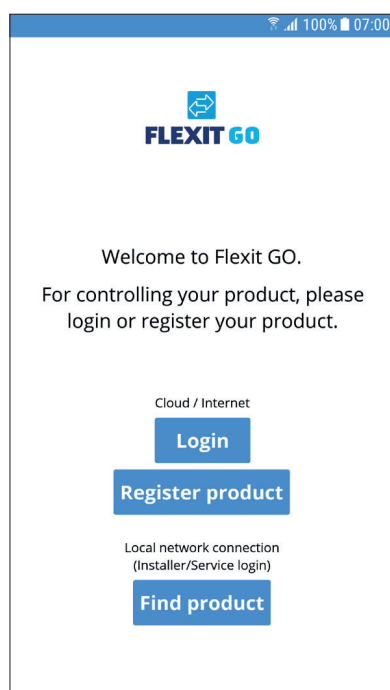
With the aid of the app you can, for example, see if there are any alarms or maintenance messages, set the desired temperature, select ventilation mode etc.

You can download the Flexit GO app from:

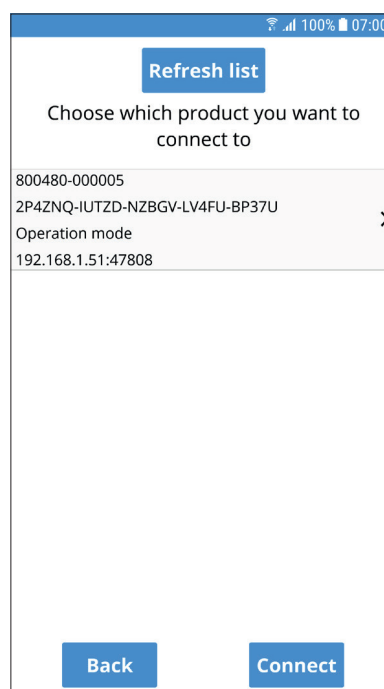


4.2. Logging in via local network

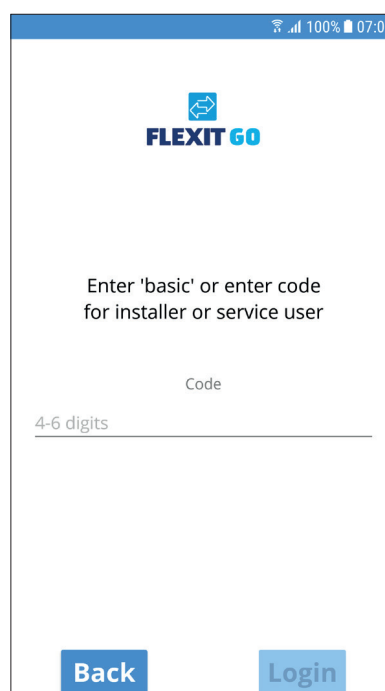
To connect your product to your local network, both your product and your mobile device must be connected to the same local network.



1 Press 'Find product'.



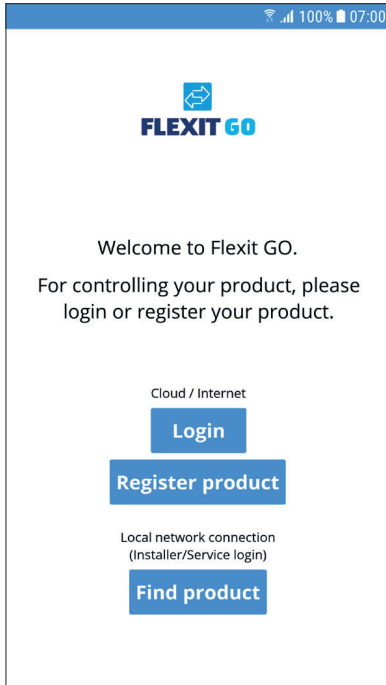
- 2 Press the unit in the list that you want to connect to.
- 3 Press 'Connect'.



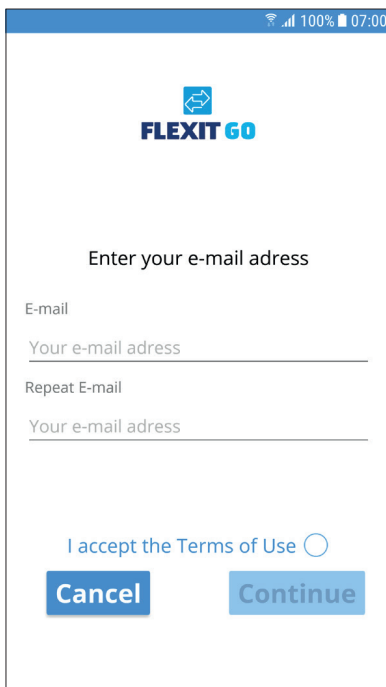
- 4 Enter the code **basic**.
- 5 Press 'Login'.

4.3. Registering product for cloud computing

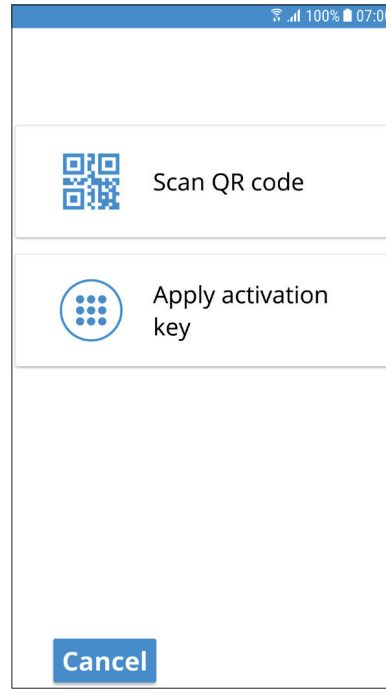
To register your product for cloud computing, both your product and your mobile device must be connected to the internet.



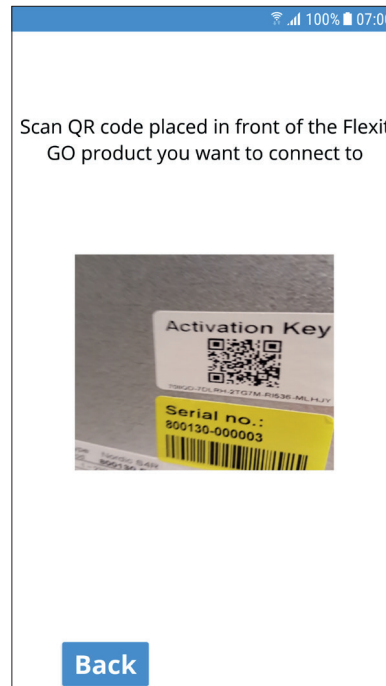
1 Press 'Register product'.



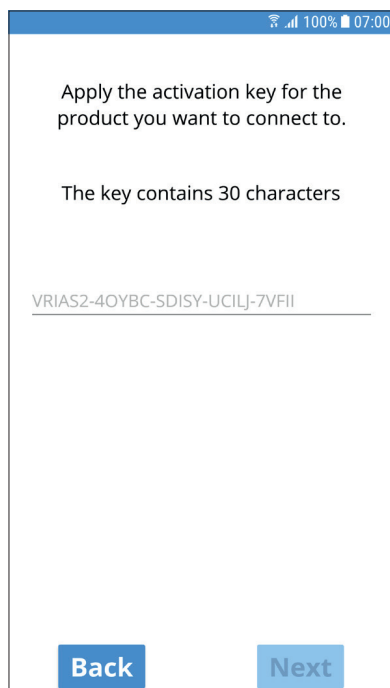
- 2 Enter the email address where you want to create an account. It must be an email address you access in conjunction with the registration flow.
- 3 Repeat your email address to ensure you have entered it correctly.
- 4 Press 'Continue'.



5 Press 'Scan QR code'.

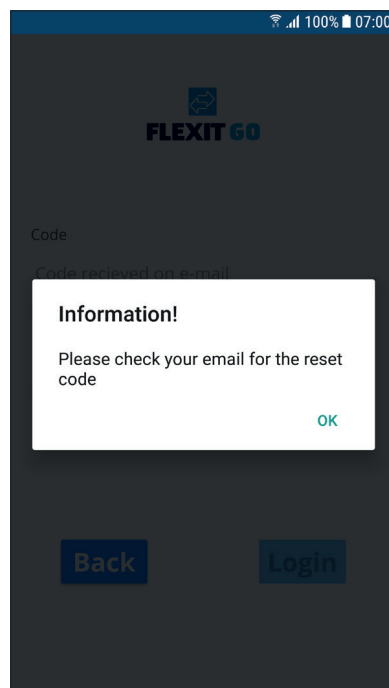


6 Scan in the activation key by filming the QR code with the camera window shown. When the camera has successfully read the activation key, you will be taken directly to the next screen with the activation key filled in.



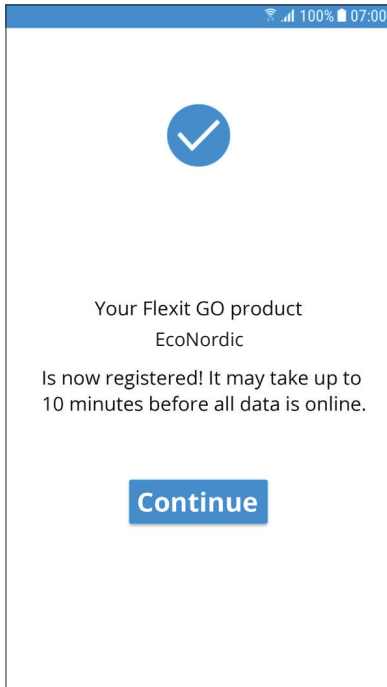
7 Press 'Next'.

- 8 Enter the name you want to give your product.
 9 Enter the address where your product is installed.
 10 Press 'Next'.
 Information that you have received a reset code will be sent to the email address you have given. Open the email and make a note of the code. Enter the code so that you can create a password for your account.



11 Press 'OK'.

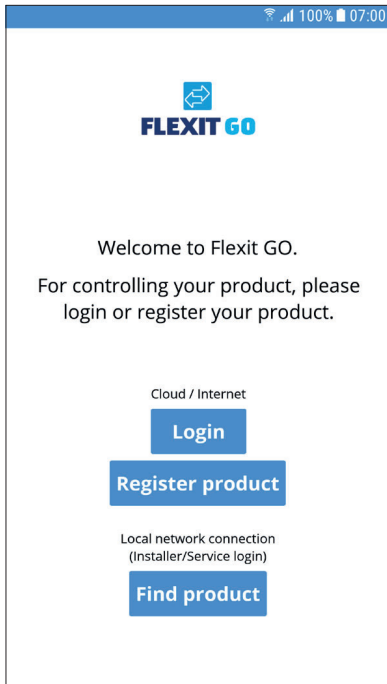
- 12 Enter the code you received by email.
 13 Enter the password you want to use.
 It should consist of at least 8 characters, including at least one character from each of the following four groups:
 - one upper-case letter (A to Z)
 - one lower-case letter (a to z)
 - one numeral (0 to 9)
 - one special character (e.g. !, \$, +,?)
 14 Enter your password again to confirm it.
 15 Press 'Login'.



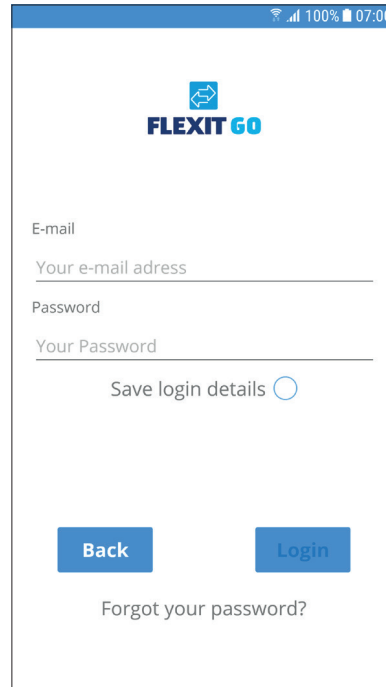
16 Press 'Continue'.
If all data is accessible in cloud computing, you will be logged in to your product.

4.4. Logging in via cloud computing

To log in to your product via cloud computing, both your product and your mobile device must be connected to the internet.



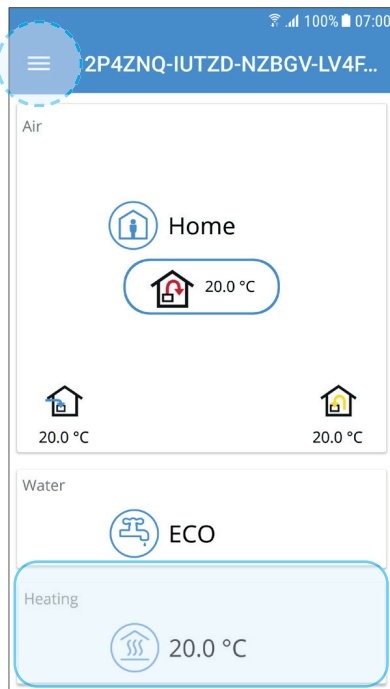
1 Press 'Login'.



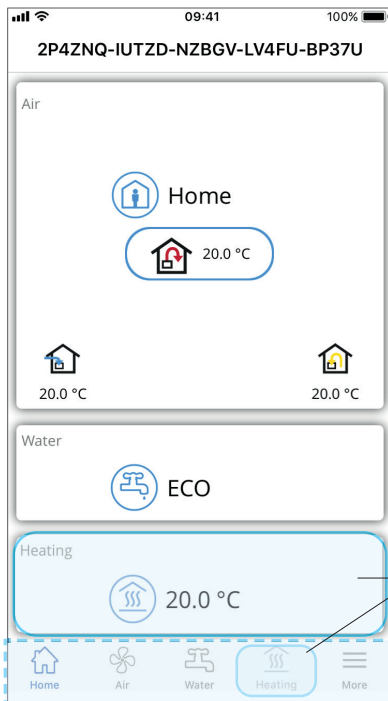
- 2 Enter the email address where you created an account.
- 3 Enter your password.
- 4 Press 'Save login details' if you want your mobile device to save your login details. In this case, you do not need to enter them every time you start the app.
- 5 Press 'Login'.

4.5. System differences between Android and IOS

Depending on the type of system on your mobile device, Android or iOS, your home screen will look different. The main difference is that Android has the menu selection at the top left of the home screen, while iOS has icons for menu selection at the bottom of the home screen.

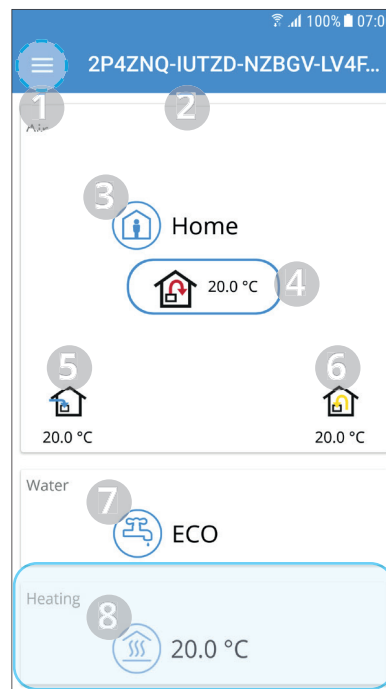


- WH4 only



- WH4 only

4.6. EcoNordic W4 home screen WH4/W4



- WH4 only

The home screen is the first page you land on when you connect to the product. All values displayed are current values.

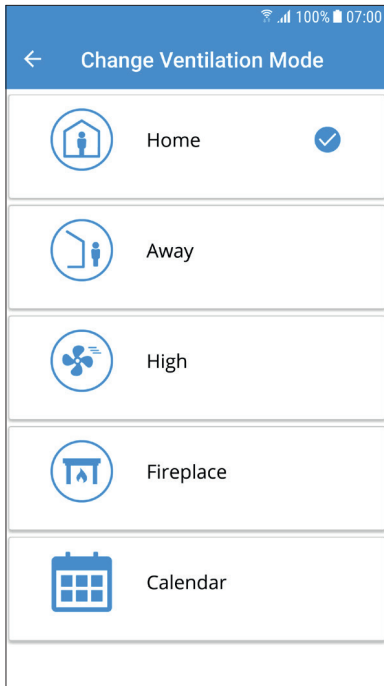
- 1 Menu
Press or swipe from the left to open the main menu.
- 2 Name of the product
 - Local connection = Activation key
 - Cloud connection = The name you gave the product
- 3 Ventilation mode
Press to change ventilation mode
- 4 Set point for intake air temperature
Press to change set point for intake air temperature.
- 5 Outdoor air temperature
- 6 Outlet air temperature
- 7 Water mode
Press to change water mode.
- 8 Heating
Press to change heating parameters

4.7. Change ventilation mode

From this screen, you can change the ventilation mode. To select one of the ventilation modes, just press the desired mode and then press start. In some modes you can select delayed start or a duration.

4.7.1. Home

Used when the building is in normal use.



4.7.2. Away

Used when the building is out of use for a longer period. In this mode you can select a delayed start. This can be useful if you have just had a shower, for example, in order to allow the ventilation unit to remove the moisture.

4.7.3. High

Used if there is a temporary increased need for ventilation, for example if you take a shower or have visitors so there are more people than usual.

As standard, this mode is set as a temporary mode, i.e. you can set a duration. When this time has elapsed, the ventilation returns to the previous mode. You can also choose to switch off the temporary mode. In this case the unit operates until you change to a different ventilation mode.

4.7.4. Fireplace

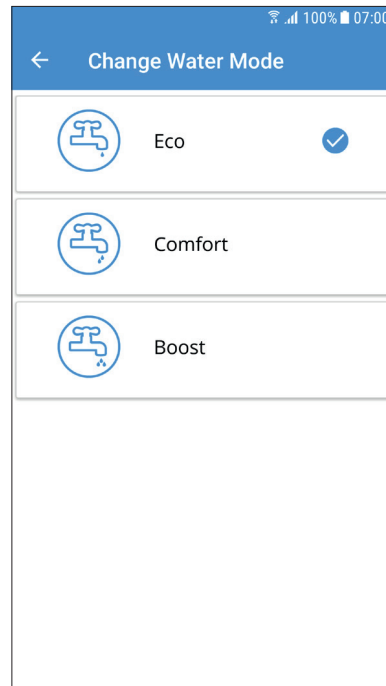
Used temporarily in conjunction with a fireplace.

This mode gives you an overpressure, making it easier to light a fire and prevent smoke from entering the dwelling. This is also a temporary mode, which you set a duration for. When this time has elapsed, the ventilation returns to the previous mode, before Fireplace.

4.7.5. Calendar

If the calendar is activated, a calendar icon will show up in the top right corner of the air panel. The default ventilation mode is the Home mode, this means that you can define the start and stop time for either Away or High mode. All other time the ventilation mode will be the Home mode.

4.8. Change water mode



4.8.1. Eco

The most economical way to produce hot water. The tank's top sensor is used to trigger the tank to be charged with hot water from the heat pump. Charging is triggered when there is about 15% hot water remaining in the tank.

4.8.2. Comfort

An economical way to produce hot water. The tank's middle sensor is used to trigger the tank to be charged with hot water from the heat pump. Charging is triggered when there is about 50% hot water remaining in the tank. If hot water consumption is high and the hot water level in the tank falls below 15%, additional electric heating is activated to increase hot water production.

4.8.3. Boost

A temporary mode with adjustable duration, which can be used when extremely high hot water consumption is required.

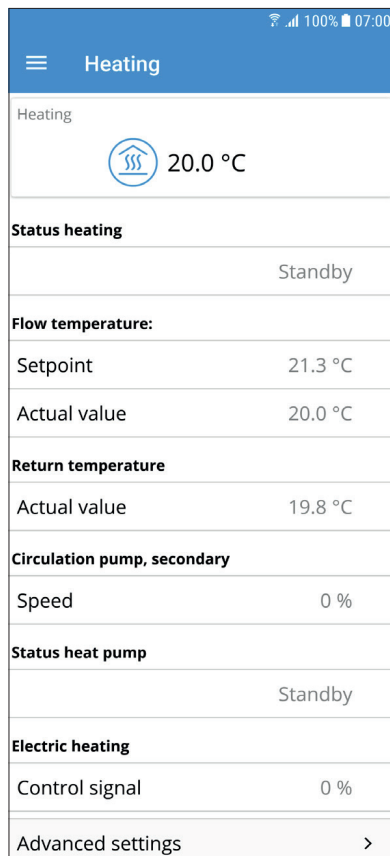
Hot water charging starts when the hot water level falls below 100%, and additional electric heating is activated if the level falls below 50%. When the time set for boost has elapsed, the water mode returns to the previous mode, Eco or Comfort.

4.9. Heat settings

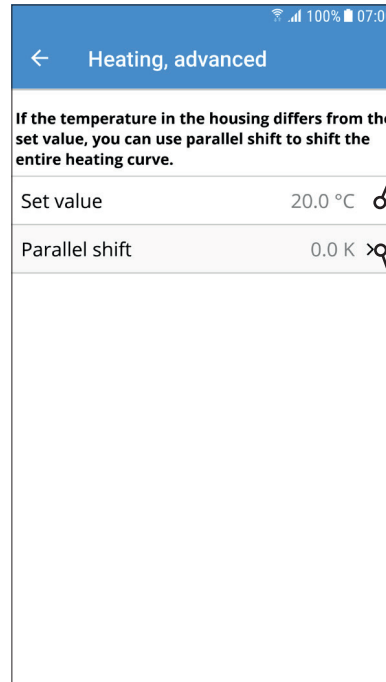
4.9.1. Heating

WH4 only:

Go to the bottom of the home page, "Heating". The heating in the home can be increased or decreased here. If you are uncertain about the effect of the changes you are making to the heating menu, contact your distributor for assistance.



Press "Advanced settings".



Desired indoor temperature. These changes will not appear when viewing the heat curve, but will be added to or subtracted from the current target value.

Parallel displacement of heat curve. Used if it is too hot or cold indoors, regardless of outdoor air temperature. These changes will not appear when viewing the heat curve, but will be added to or subtracted from the current target value.

5. Periodic maintenance



DANGER

Put the product in service mode and then disconnect the power before service is performed.

Service mode

1. Start the Flexit GO app and select the product you want to service.
2. Enter the service menu (**More > Service**)
3. Select "Service mode". The product will now make a controlled shutdown. The shutdown time depends on the operating mode.
4. Switch off the all-pole switch. Service can now be carried out.



5.1. EcoNordic W4/WH4

Only carry out maintenance specified in the table and instructions in this chapter. All other maintenance should be carried out by service personnel.

Component	Remedy	Interval
Air filters	Air filters must be changed at least once a year. It is best to do this twice a year, before and after the pollen season. Check that the filter seal is completely tight. See Chap. 5.5	6–12 months
Gaskets	Check that the gaskets/seals of the ventilation unit door and the filter gaskets are undamaged and tight.	12 months
Valves	Intake and outlet air filters (in bathrooms, bedrooms, laundry etc.) must be cleaned at least once per year.	12 months
Air intake	Check that no leaves or other objects have become stuck in the grid. During the winter the air intake may freeze, and this should be checked regularly (daily, if necessary). If necessary, scrape to remove impurities so that the air can pass through.	12 months
Roof hood	If the unit has a roof hood, this should be checked for leaves, etc. Also check that the drainage channels are not blocked.	12 months
Ducts	Check that the ducts are clean. Keep clean.	6 years
Inside the ventilation module	The combination of a very low outdoor temperature and damp outlet air can lead to ice formation. This is not usually a problem; as soon as the operational conditions return to normal, the ice crystals are converted into steam and removed with the exhaust air. If extremely cold temperatures persist for a long period, the unit should be checked for ice. This can conveniently be done in conjunction with filter replacement.	6–12 months
General inspection of the product	In order for the warranty to be valid, a general inspection of the product, including fans, rotor, brush strips etc. should be carried out by an authorised service technician.	3 years
Safety valve	Open and close the safety valve to make sure the overpressure protection is working. See Chap. 5.7 The valve may drip slightly during hot water production. If the dripping is extensive and for long periods, contact your distributor.	6 months
Drainage cup	Clean the drainage cup by removing leaves and other dirt. See Chap. 5.8	3 months
Incoming water	Check and clean the filter at least twice during the first year after installation. This interval can be increased if it becomes apparent that the filter need not be cleaned so frequently.	6 months

Component	Remedy	Interval
Addition for WH4		
Water filter on heating medium side	Check and clean the filter at least twice in the first year of installation. The interval may be increased if the filter seems to require less frequent cleaning.	6 months
Pressure on heating medium side	Check that the heating system maintains its original pressure according to the installer's instructions.	6 months

5.2. EcoNordic prefab module (accessory)

The service tasks below must be carried out by a pipe fitter, and we advise setting up some form of regular service agreement.

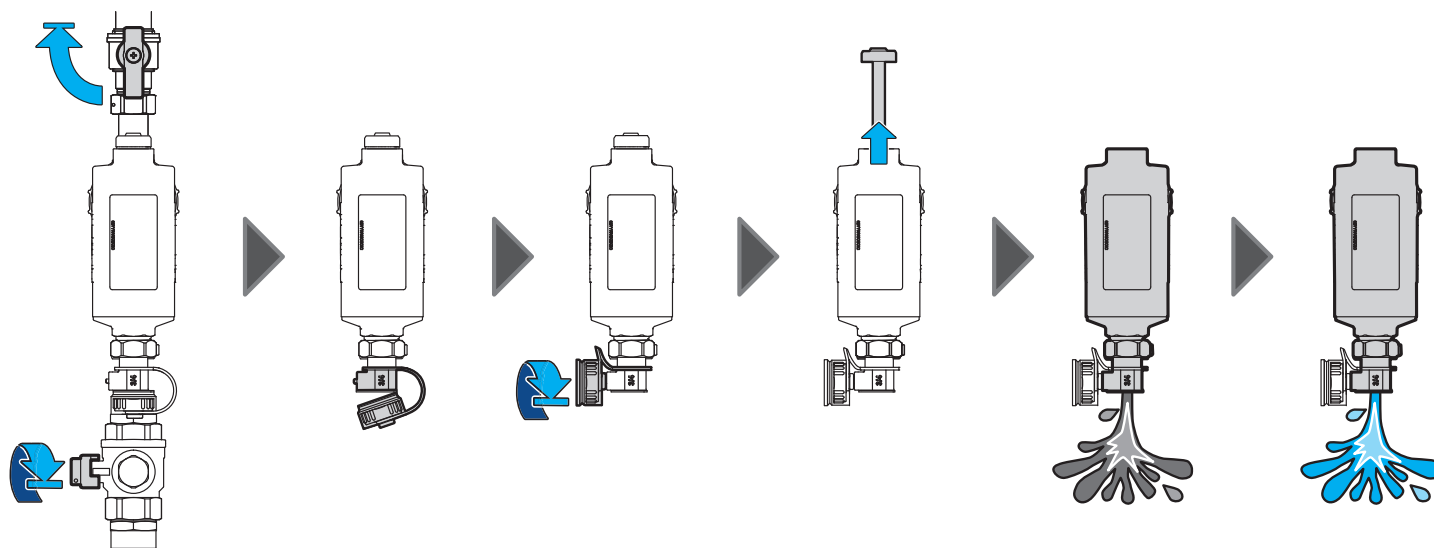
Component	Remedy	Pos.	Interval
General inspection of the product	Visual check of any leakage points (end customer).		6 months

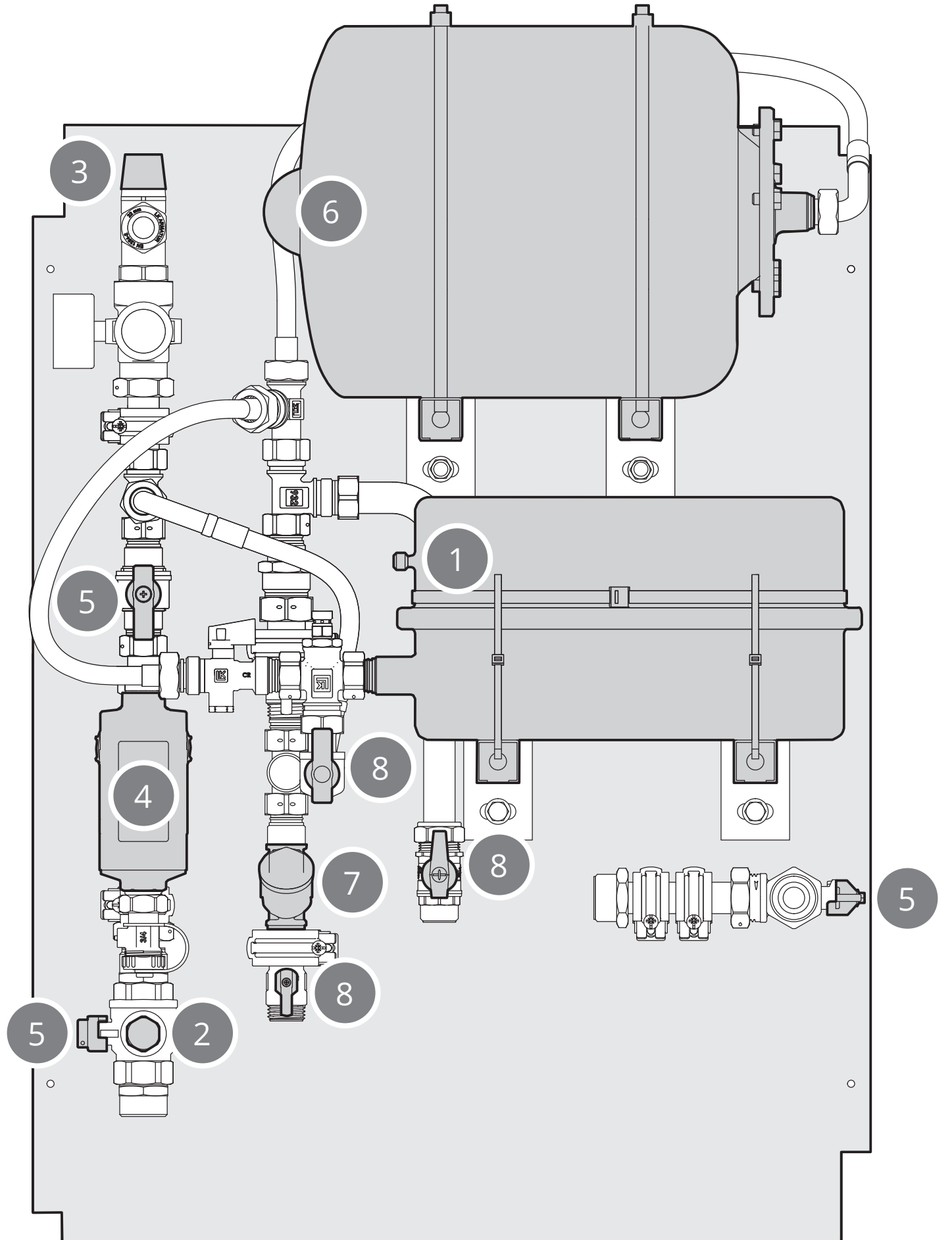
Service tasks, heating loop

Expansion tank	Check the starting pressure	1	12 months
Water filter	Check and clean the filter at least twice during the first year after installation. The interval can be increased if it becomes apparent that the filter need not be cleaned so frequently.	2	6 months
Safety valve	Move the safety valve to ensure that it functions as protection against overpressure (end customer). See the procedure in Chap. 5.7.	3	6 months
Magnet filter	Clean the filter, following the instructions below.	4	12 months
Valves	Separate instructions, with reference to closing the valve before service is carried out.	5	12 months

Service tasks, domestic water loop

Expansion tank	Check the starting pressure	6	12 months
Water filter	Check and clean the filter at least twice during the first year after installation. The interval can be increased if it becomes apparent that the filter need not be cleaned so frequently.	7	6 months
Valves	Open and close all valves and check their function.	8	12 months

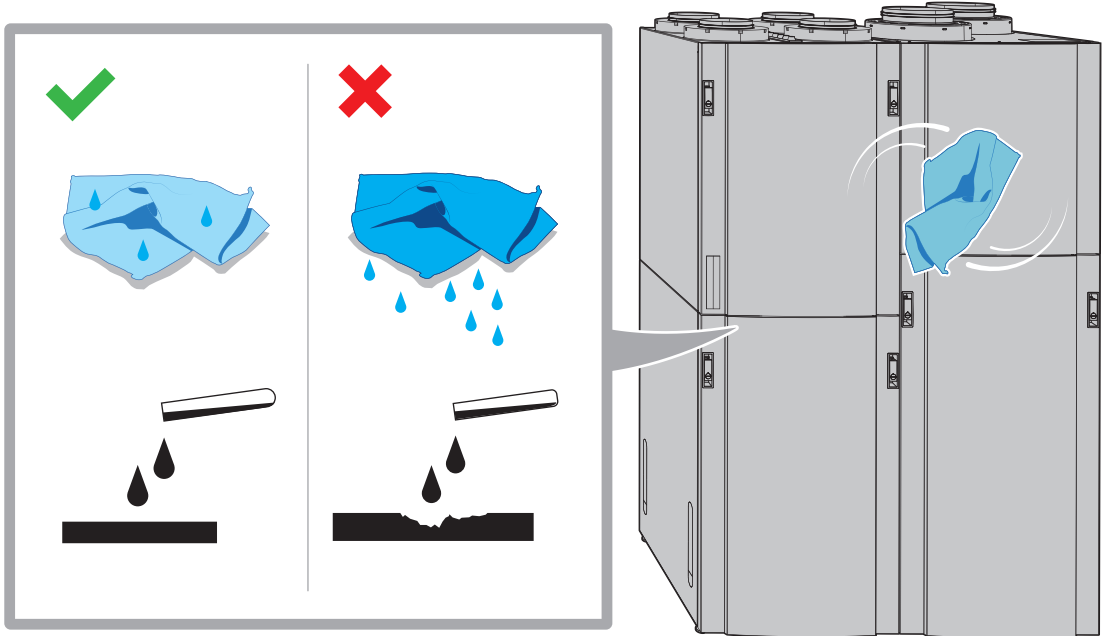




5.3. External cleaning

Dampen a soft cloth with warm water.

i **NB** Detergents containing ammonia or citrus must not be used. Do not use products that give stainless steel a fingerprint-resistant coating.



5.4. Opening the door

**WARNING**

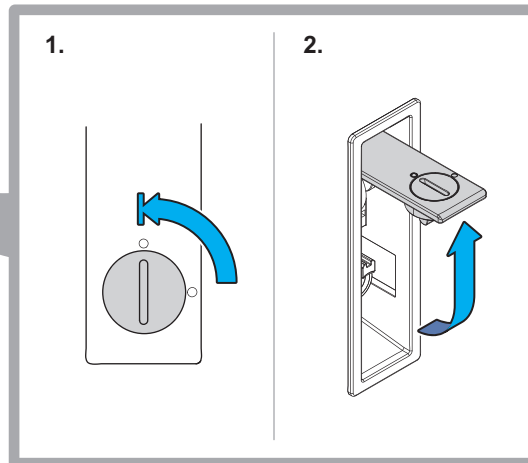
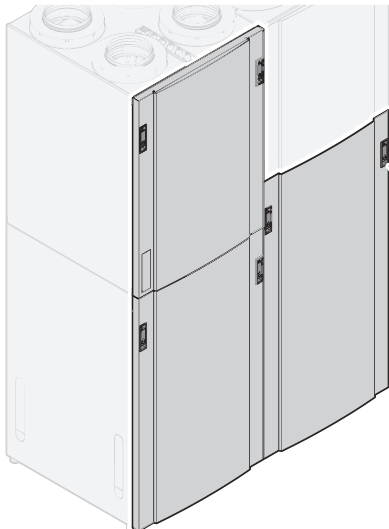
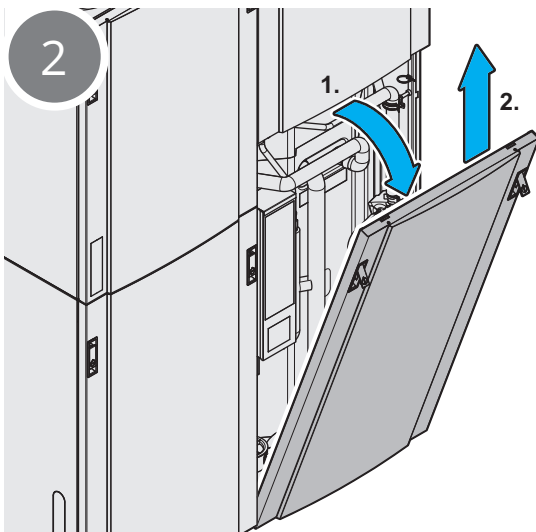
The door is heavy - take care when lifting it off.

**DANGER**

Put the product in service mode and then disconnect the power before service is performed.

Service mode

1. Start the Flexit GO app and select the product you want to service.
2. Enter the service menu (**More > Service**)
3. Select "Service mode".
The product will now make a controlled shutdown.
The shutdown time depends on the operating mode.
4. Switch off the all-pole switch. Service can now be carried out.

**1****2**

5.5. Filter replacement 1

The filters have a limited service life, and to maintain a healthy indoor environment it is important to replace them when they become dirty.

How often the filters need replacing depends on how polluted the air is at the site. Generally, the filters should be replaced at least once per year, preferably in the autumn, after the pollen season. In areas with a large amount of dust and pollution the filters should be replaced in spring as well as in winter.

Dirty filters may, for example, cause:

- impaired performance of the unit;
- contamination of the unit;
- moisture damage;
- impaired indoor air quality.

We recommend taking out a filter subscription in order to obtain optimal yield from the unit.

If you use a filter other than a Flexit original filter, the ventilation unit may not work as intended. Flexit therefore accepts no liability for any operating faults



Clogged filters may reduce heat recovery in the ventilation unit and cause humidity damage.

Please note that a complaint may be rejected if you use a filter other than an original Flexit filter.

For the right filter, see 'Accessories' under your indoor climate central on Flexit's website.

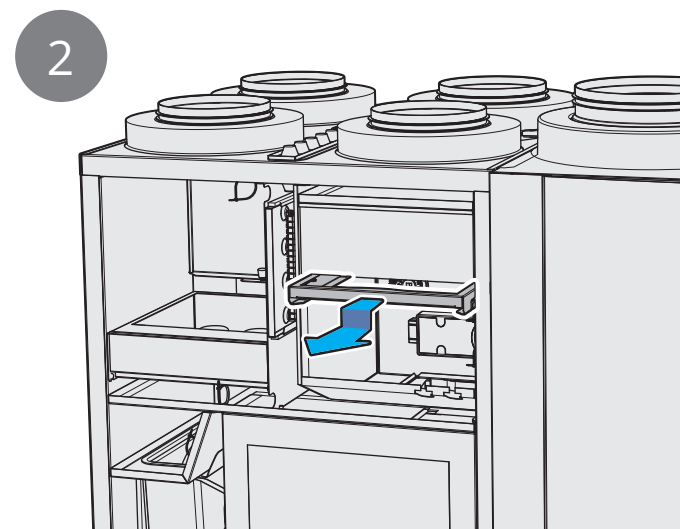
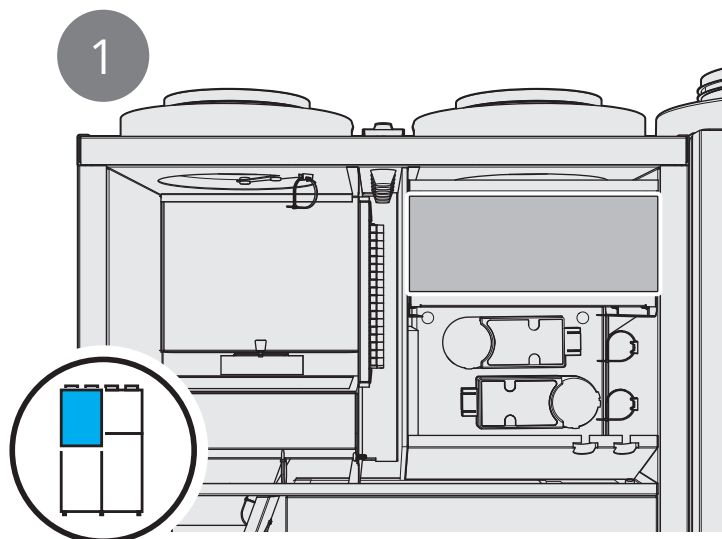
Change both filters (supply air and exhaust air) at the same time.

Make sure that the filter is not damaged during fitting. A damaged filter reduces the unit's power and air purity.

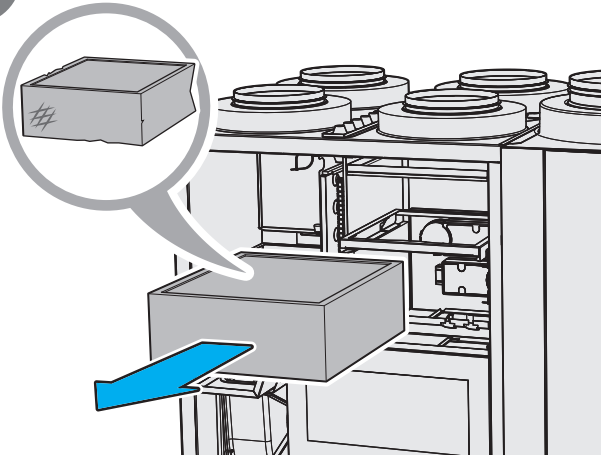
Check that the filter's seal is intact before inserting the filter. Then push the filter properly into place to prevent air leakage.

CAUTION! The unit must not be used without a filter.

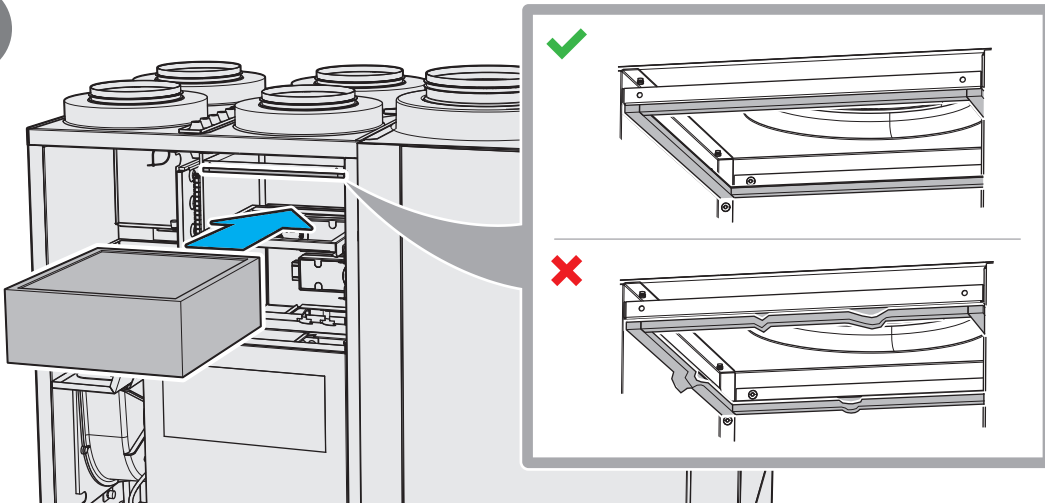
It is important to use a Flexit original filter.



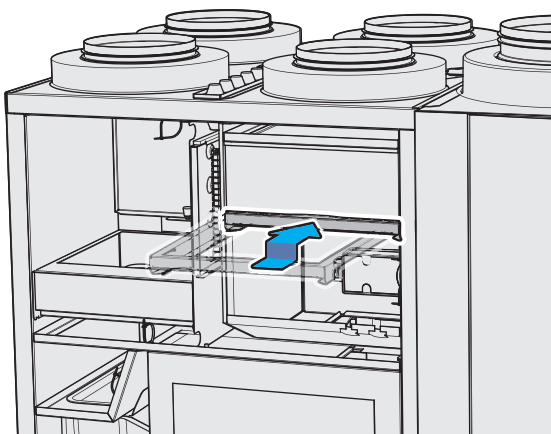
3



4



5



5.6. Filter replacement 2



Change both filters (supply air and exhaust air) at the same time.



Make sure that the filter is not damaged during fitting. A damaged filter reduces the unit's power and air purity.



Check that the filter's seal is intact before inserting the filter. Then push the filter properly into place to prevent air leakage.



CAUTION! The unit must not be used without a filter.



It is important to use a Flexit original filter.

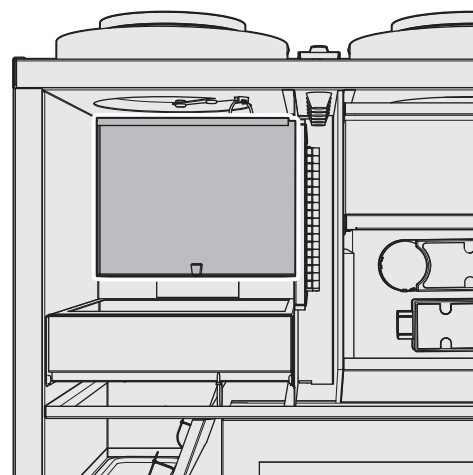
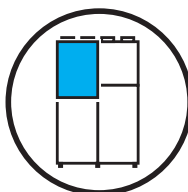
If you use a filter other than a Flexit original filter, the ventilation unit may not work as intended. Flexit therefore accepts no liability for any operating faults



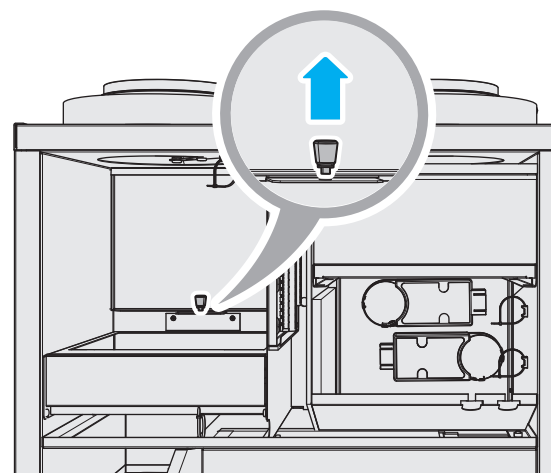
Clogged filters may reduce heat recovery in the ventilation unit and cause humidity damage.

Please note that a complaint may be rejected if you use a filter other than an original Flexit filter. For the right filter, see 'Accessories' under your indoor climate central on Flexit's website.

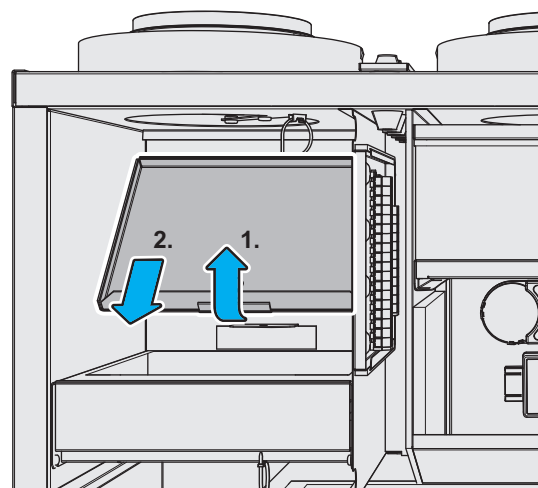
1



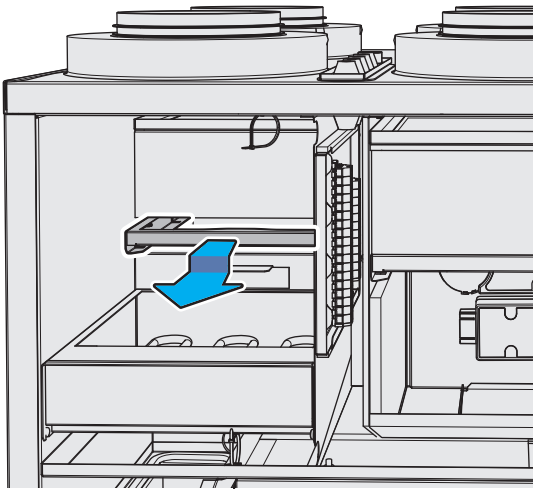
2



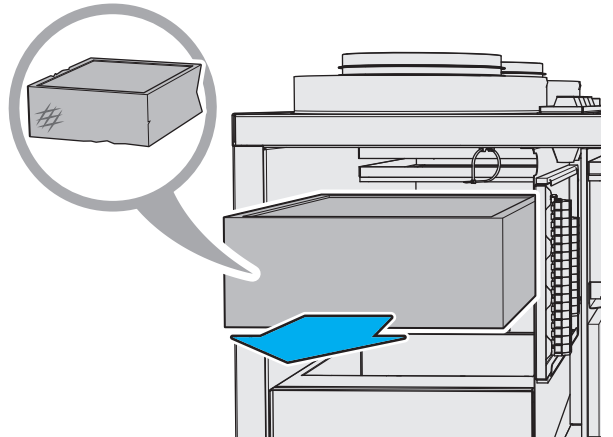
3



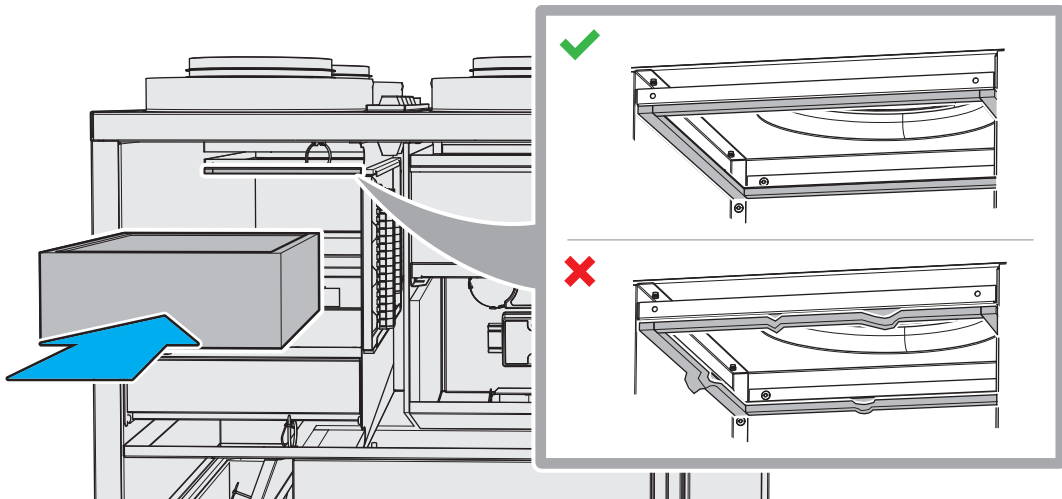
4



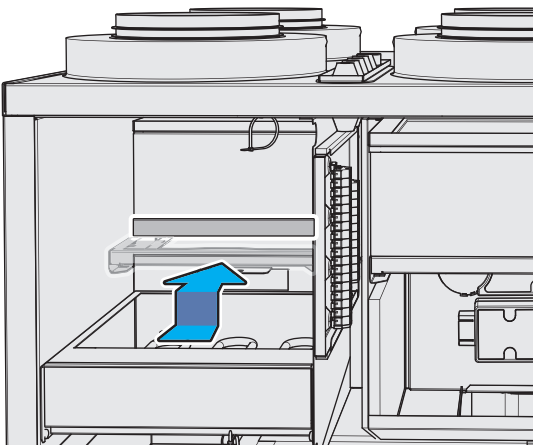
5



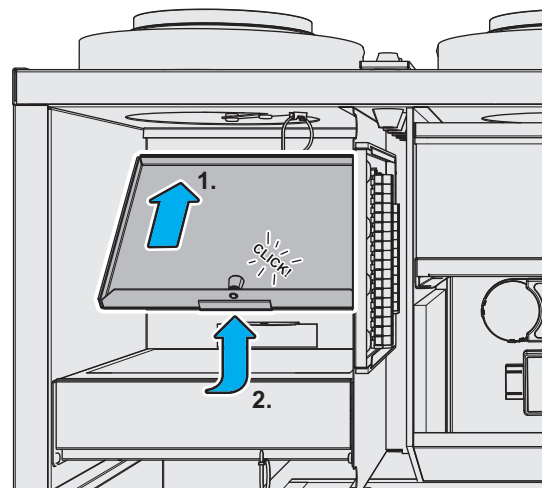
6



7



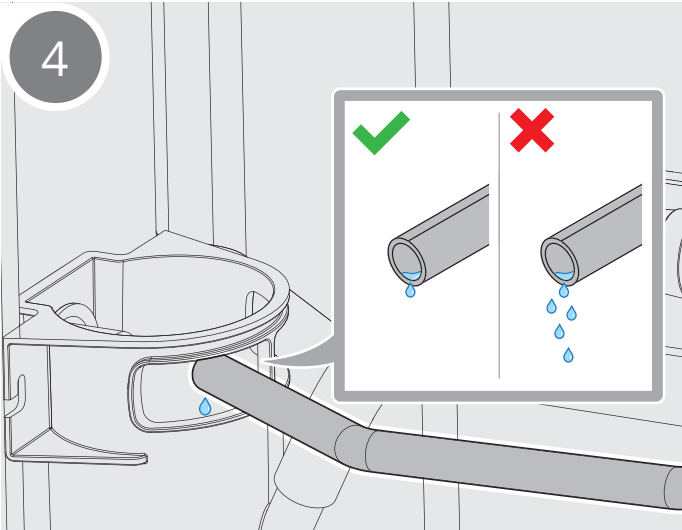
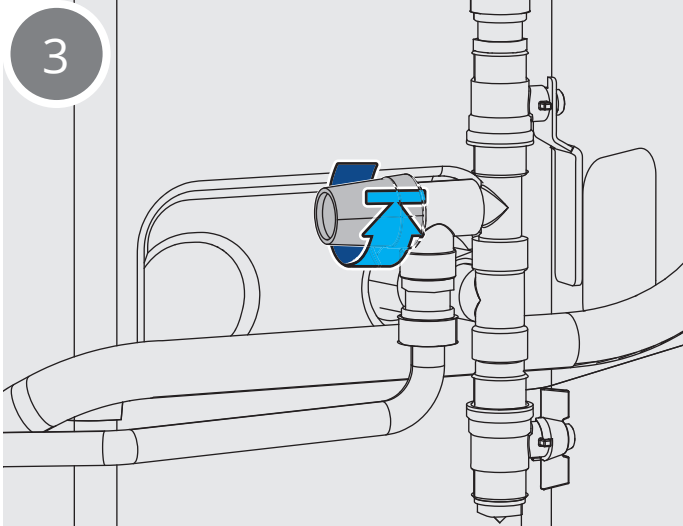
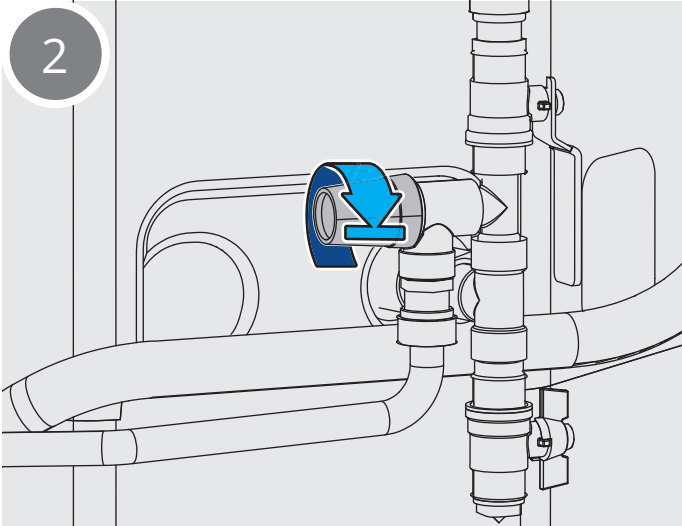
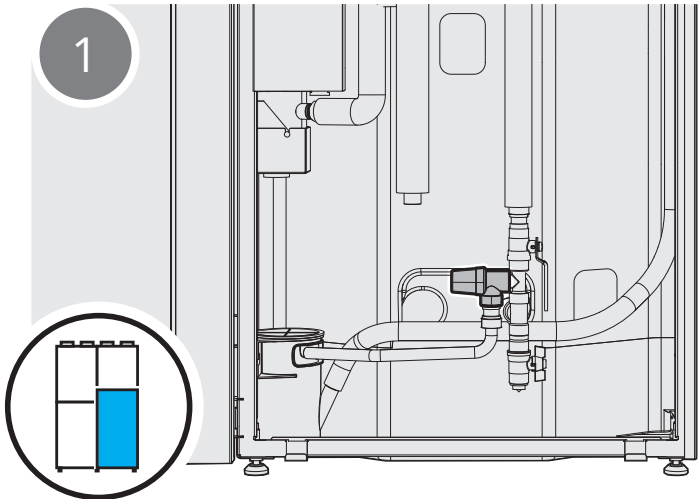
8



5.7. Movement of safety valve

Carry out this procedure to ensure that the overpressure protection is working.

i **NB** During hot water production there may be some slight dripping from the valve. If there is a lot of dripping for a long period, contact your retailer.

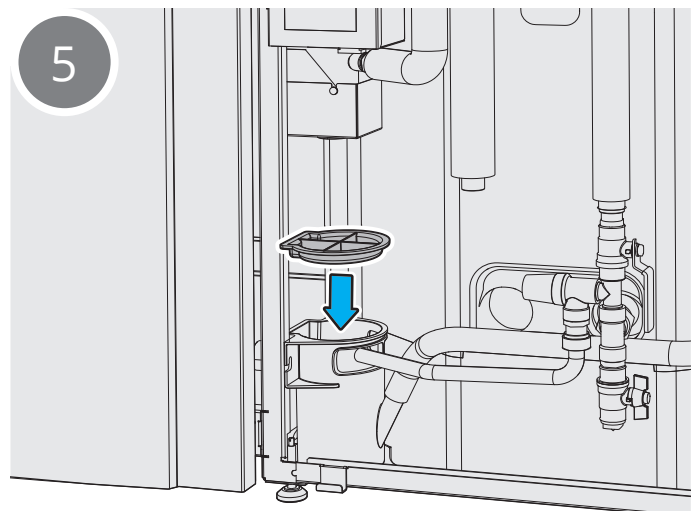
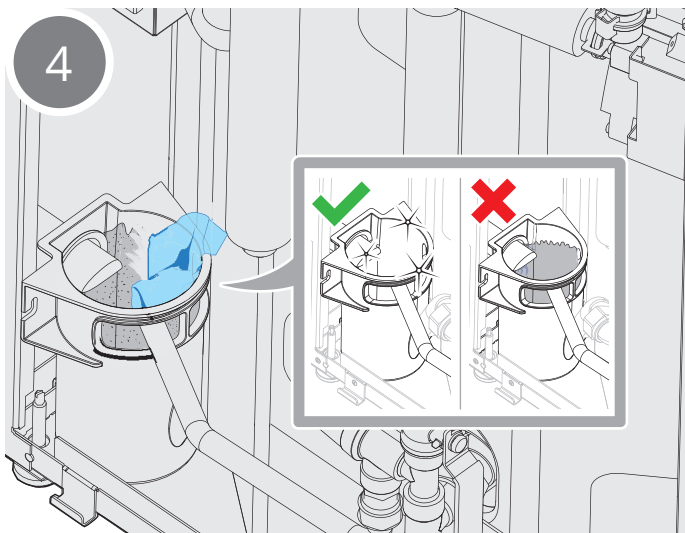
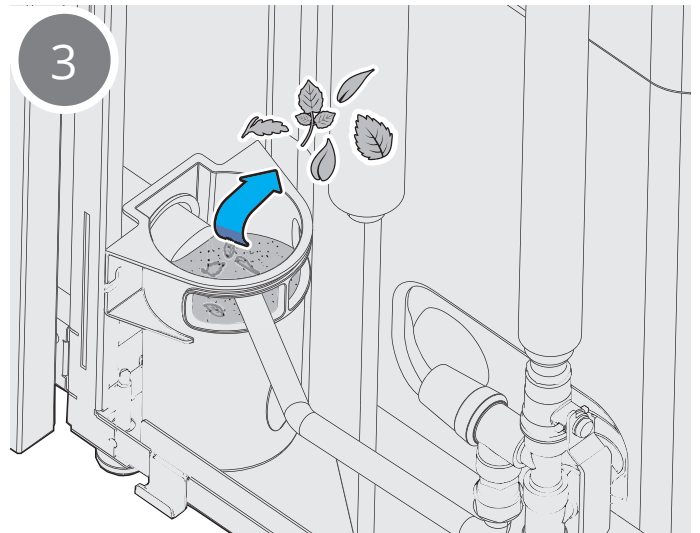
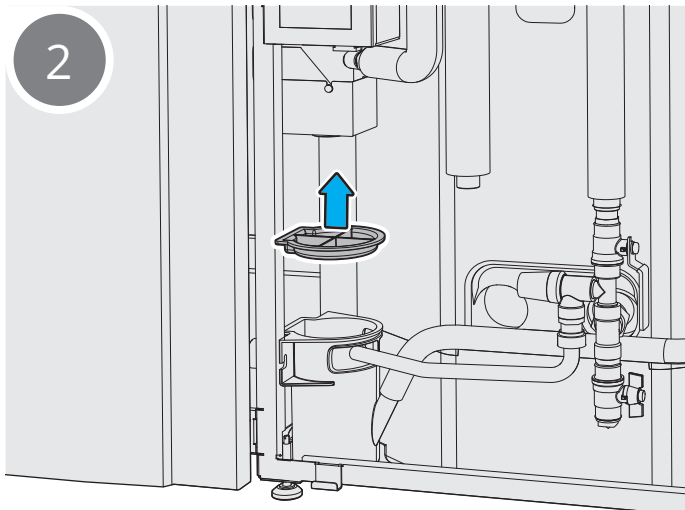
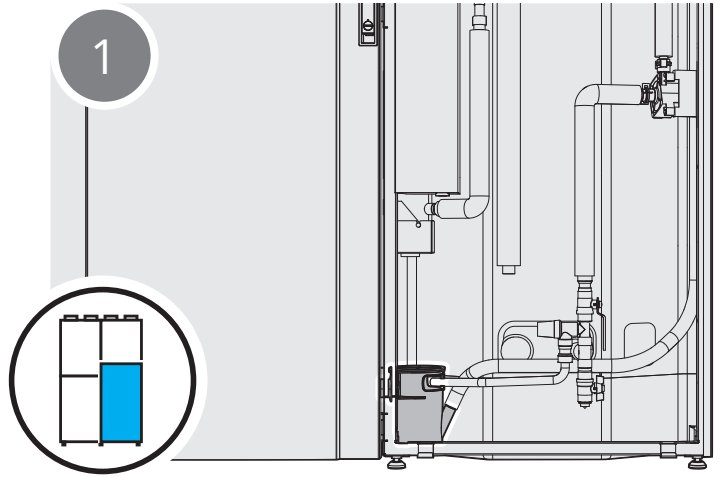


5.8. Checking the drainage cup



NB

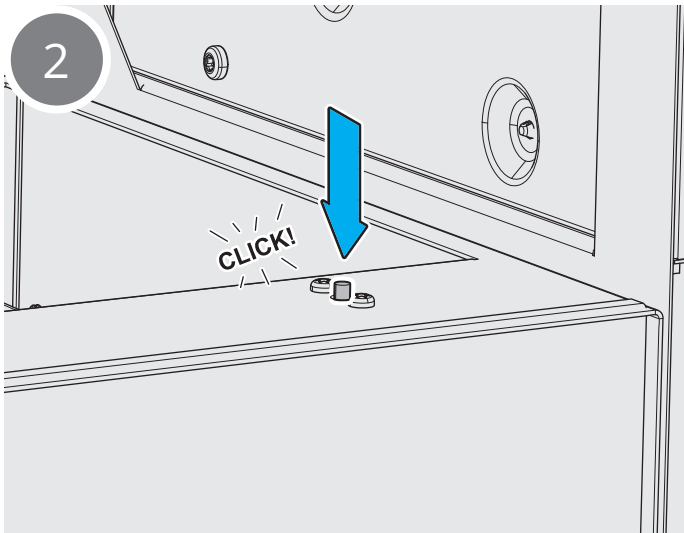
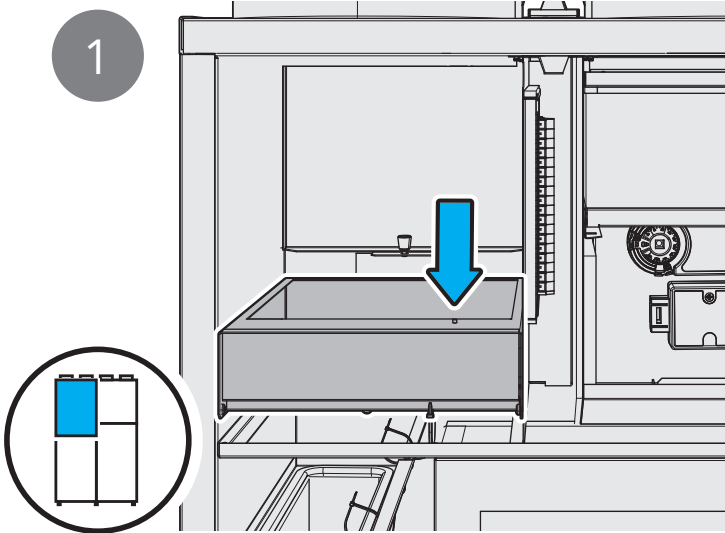
During hot water production there may be some slight dripping from the valve. If there is a lot of dripping for a long period, contact your retailer.



6. Actions to be taken in the event of an alarm

6.1. Reset overheating protection - ventilation

If there is an alarm from the overheating protection, use the reset button to cancel the alarm. If there are repeated alarms, contact your retailer.

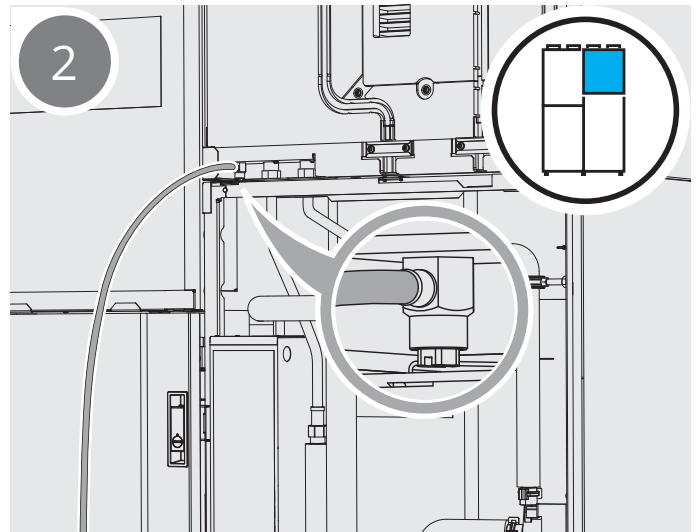
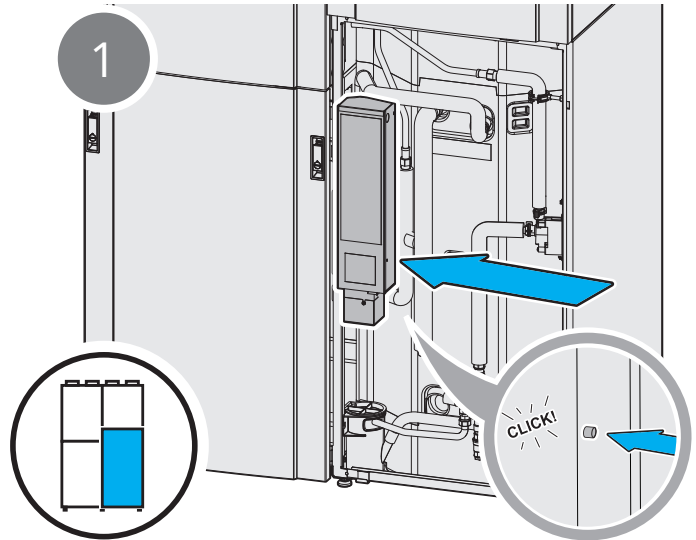


6.2. Reset overheating protection - water

If there is an alarm from the overheating protection, use the reset button to cancel the alarm. If there are repeated alarms, contact your retailer.

The main reason for this alarm is air in the system, causing poor flow over the flow-through heater in the water circuit. As a result, the flow-through heater is unable able to disperse the heat, triggering an overheating alarm. Venting the primary circuit in the system will solve the problem.

1. Reset the alarm with the indicated button, see blue arrow.
 - Go to the app via "Find product", log in with code 1000 and reset the alarm in the alarm list.
 - Go to "More" on the menu and set the system to service mode by pressing "Service".
2. Mount the air pipe on the air nipple.
 - Activate venting in the app via "Service menu", "Heat pump" and change mode from "None" to "Air purge". Open the air screw by max. 1 turn. Allow the system to vent for 15 min.
 - When the system has finished venting, close the air screw and deactivate venting in the app.
 - Start up the system via the app and reattach the doors.



7. Troubleshooting

EcoNordic has different levels of alarms that can be seen in the Flexit GO app.

- **A-alarm:** www.flexit.com → "Contact", "Support for Indoor Climate Central EcoNordic" → "Read more and fill out form"
- **B-alarm:** www.flexit.com → "Products", "Indoor climate central" → Choose your product → "Documentation" and choose "User manual Flexit GO (EcoNordic)"

For other comfort problems, see table:

Error indication	Cause	Remedy
Cold intake air	Incorrect intake air temperature	Check selected intake air temperature. Check that the re-heater is switched on.
	Blocked filters	Check filters. Replace filters if necessary.
Too little air	'Away' mode is activated	Change mode to 'home' or 'high'.
	Check to see if the filters are blocked	Replace filters if necessary.
	Check intake air valves	Clean the filters if they are blocked.
	If the above points have been rectified and the problem persists	Contact your installer.
The fans do not operate	Fault in fan or unit	Check that the product's power supply is working. If not, check that the fuses are intact. If the fault persists, contact your installer.
	The overheating thermostat has tripped	Reset the thermostat if it has tripped. If it trips repeatedly, contact your installer.
Rotor alarm	The rotor has stopped	Open the door of the ventilation module and check to see whether the rotor is spinning. If the rotor is stationary, contact your installer.
	The rotor is spinning, but at the wrong speed	Contact your installer.
No hot water	The tank is empty - hot water is being produced	Wait 30 minutes, until hot water is available again.
	Check in the app to see whether an alarm has been triggered.	Follow the instructions in the app. If necessary, contact your installer.
	Other cause	Contact your installer.
Water around or under the product	The drainage cup is clogged	Check the drainage cup and clean if necessary (see Chap. 5.8)
	Water system leakage	Consider the severity of the leakage. If the problem is severe or recurring, contact your installer.
Abnormal sound	Blocked filters	Check filters. Replace filters if necessary.
	Incorrectly set valves	Check to see whether any of the valves are completely closed. Open valves should not be touched, except for cleaning. See separate point under maintenance.
	The combibox or intake grille has frozen.	Remove the ice and clean the intake.
	Other cause	Contact your installer.

Error indication	Cause	Remedy
Additions for WH4		
No heat in floor or radiator	Faulty initial settings on product	Contact the installer
	Air in the heating system	Check the pressure against the installer's instructions. If the system has lost pressure, fill with water and bleed the system. Contact the installer if assistance is required.
	Dirt in filter	Clean the filter. Contact the installer if assistance is required.
	If outdoor temperatures are very low, this may require more heat than the product can deliver	Use other heat sources in the house.
	Fault on product	Contact the installer.

8. EU Declaration of Conformity for CE marking

This declaration of conformity confirms that the products meet the requirements in the following directives and standards:

Electromagnetic Compatibility (EMC)	2014/30/EU
Low Voltage Directive (LVD)	2014/35/EU
Pressure equipment	2014/68/EU
RoHS 2	2011/65/EU
Energy-efficient design directive	812/2013/EC
Energy labelling directive	814/2014/EC
Safety standards	EN 60335-1:2012 + A11:2014 + A13:2017 EN 60335-2-40:2003 + A11:2004 + A12:2005 + A1:2006 + A2:2009 + A13:2012 EN 60335-2-21:2003 + A1:2005 + A2:2008 EN 60335-2-35:2016
Standard for electromagnetic fields	EN 62233:2008
EMC standard	EN 55014-1:2017 + A11:2020 EN 55014-2:2015 EN IEC 61000-3-2:2019 EN 61000-3-3:2013 + A1:2019

Our products are tested in accordance with the whole or parts of the following standards:

Multi-functional heat pumps, performance	EN 16573:2017
Heat pumps for domestic hot water, performance	EN 16147:2017 Tested at RISE (SP)
Sound data	EN 12102:2017
WH4:	
Heat pumps for space heating, performance	EN 14511:2018
Heat pumps for space heating, seasonal performance	EN 14825:2016

Producer: FLEXIT AS, Televeien 15, 1870 Ørje, Norway

Type:
EcoNordic WH4 Indoor Climate Central
EcoNordic W4 Indoor Climate Central

The product is CE-labelled: 2018

FLEXIT AS 2018



Knut Skogstad
CEO

The product is listed in the
database for building products
that can be used in
Nordic Swan
Ecolabelled buildings.



Flexit AS, Televeien 15, N-1870 Ørje
www.flexit.com