

# EXTRACTION HOODS



Extraction hood with light

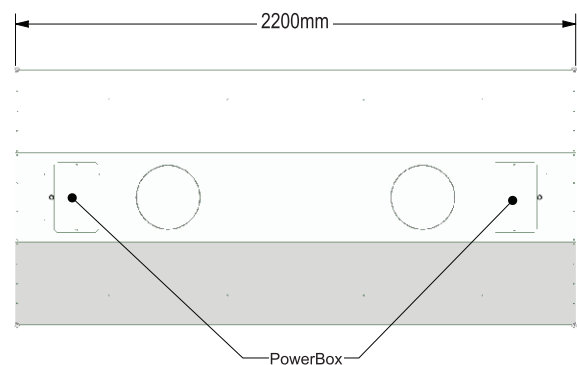
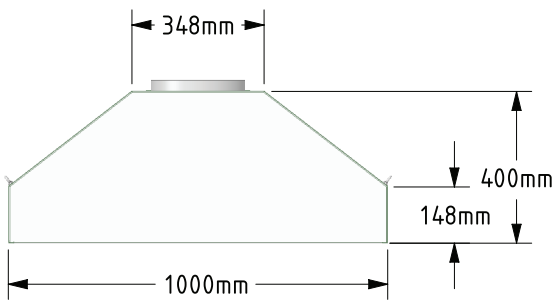
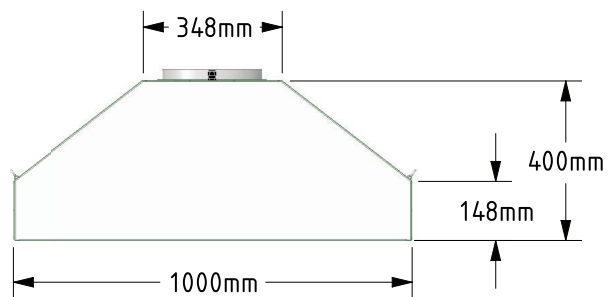
Do you have problems with smoke and fumes, and is it not possible to use an extraction arm?

Then a hood in galvanized construction, could be the right solution.

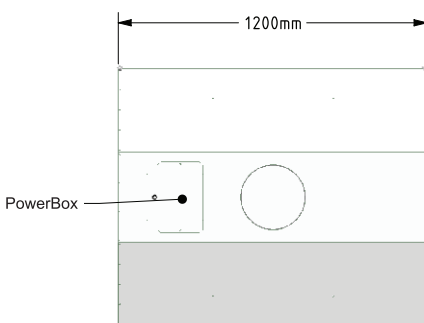
We offer two sizes: Hood 1200 x 1000 x 400 mm recommended airflow: 1.000-1.500 m<sup>3</sup>/h and hood 2200 x 1000 x 400 mm recommended airflow: 2.000-3.000 m<sup>3</sup>/h

Option: Can be offered with LED spots.

Other sizes available upon request.



02-211 Hood



02-210 Hood

## Extraction hoods with edge extraction



Do you have problems with smoke and fumes, and is it not possible to use an extraction arm? Then a hood in galvanized construction, could be the right solution. We offer two sizes: Hood 1200 x 1000 x 400 mm recommended airflow: 1.000-1.500 m<sup>3</sup>/h and hood 2200 x 1000 x 400 mm recommended airflow: 2.000-3.000 m<sup>3</sup>/h Option: Can be offered with LED spots.

Art. No.	Description
02-210	Hood 1200 x 1000 x 400 mm, recommended airflow: 1.000-1.500 m <sup>3</sup> /h, connection 1xø250 mm
02-211	Hood 2200 x 1000 x 400 mm, recommended airflow: 2.000-3.000 m <sup>3</sup> /h, connection 2xø250 mm

## Accessories

Art. No.	Description
02-215	Light kit consisting of 4 lights, 7 watt per. bulb, 24V, incl. electronic transformer
02-216	Light kit consisting of 8 lights, 7 watt per. bulb, 24V, incl. electronic transformer

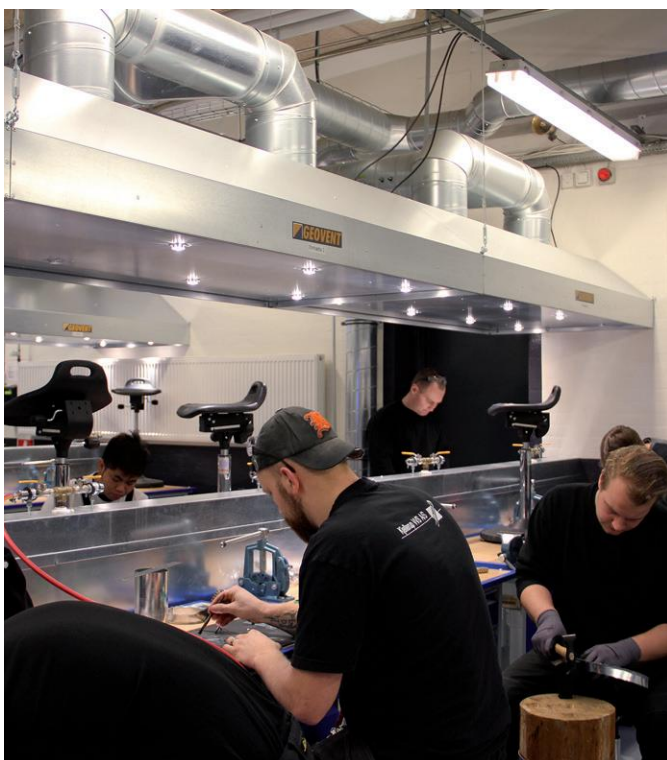
## Extraction hoods in modules



Geovent manufactures hoods in customised or standard versions. They are available with different kinds of suspension types, depending on the installation plans – on a wall or from the ceiling. The airflow can be adapted to the individual job by adjusting the width of the slit as well as the diameter measurement of the connection to the Spiro pipe.

As standard, we offer two sizes: hood 1275 x 700 x 250 mm with an airflow from 100 m<sup>3</sup>/h and 2550 x 700 x 250 mm with an airflow from 200 m<sup>3</sup>/h and upwards. These hoods have LED spots. As standard, the slit is 20 mm. Upon request, the slit can be made in different measurements. As shown on the picture, the hoods can be installed in series, making an almost endless length of the actual hood possible.

Art. No.	Description
02-212	Hood 1275x700x250mm with LED spots
02-213	Hood 2550x700x250mm with LED spots



Extraction Hood at a school



As seen in the picture, the hoods can be mounted in series so that the length of the hood itself can almost become infinite.



# WING ARM

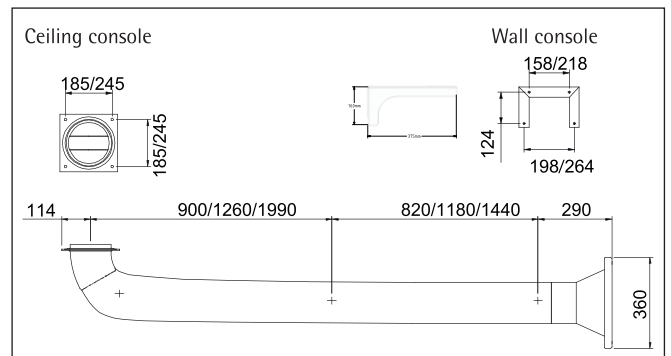


The classic point extraction arm.  
The WING arm construction dates more than 40 years back, but with improvements over the years, it is still one of the best choices when selecting a new extraction arm.

**Lengths:** 2, 3 and 4 m.  
Up to 9 m, when using an extension arm.

**Dimensions:**  
ø160 and ø200 mm

## Dimensions WING arm



## Extension arms

All arms may be extended with an extension arm. The 2 meter long extension arm will generate a pressure drop of app 70 Pa at 1.000 m<sup>3</sup>/h. The 4 meter link extension arm shown will generate a pressure drop of app 200 Pa at 1.000 m<sup>3</sup>/h. The extraction are is divided into modules, which are pushed into each other, so that it can be mounted by one single craftsman. That makes both the arm and the mounting easier and more price competitive. The arm is smoothly operated and easy to position, due to the special design and freed flange bearings in the joints. In most links the friction can be adjusted, so the extension arm is easy to use. Mostly, the arms are in stock which means fast delivery for you.



# COMPACT ARM

The Geovent COMPACT arm is the ideal solution when there is confined space for example in welding booths. The telescope function within the COMPACT arm offers the perfect balance between larger arms extraction capacity and smaller arms easy maneuverability. When you are done with the operation, simply move the arm up/away, and it does not take up any extra space.

The arm is supplied ready for installation in the ceiling (360° rotatable) or on wall (wall console required), together with separate fan or to central fan.

**Weight:** 10 kg - 14 kg depending on model

**Lengths:** 1 to 2m or 1,4 to 3m.  
Up to 8m, when using an extension arm.

**Dimensions:**  
ø160 and ø200 mm

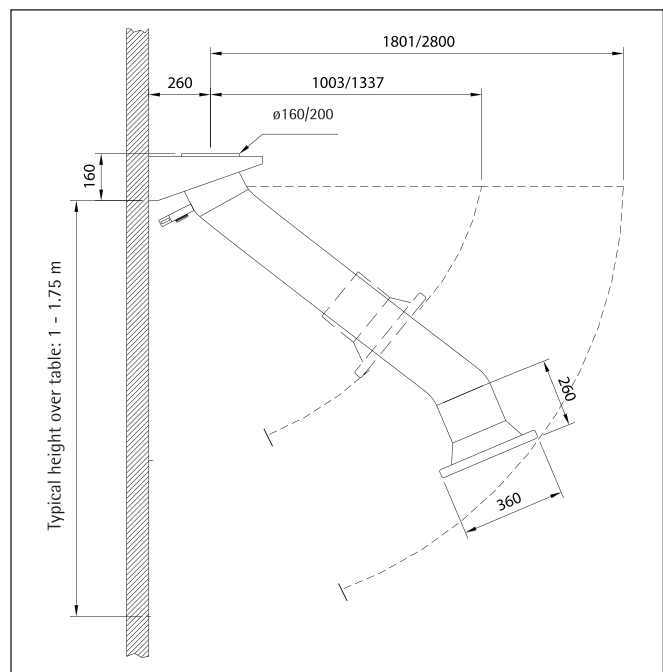


White COMPACT arm, customized design.

Ask for special design.



Dimensions COMPACT arm





# ASA ARM



GEOVENT ASA-3 and ASA-4 extraction arms are used for welding fumes, grinding dust and various vapours, where the considerations for the operator are ease of positioning, ergonomics and efficiency.

The ASA arm is based on an externally articulated alu arm construction with gas spring, ensuring that it can easily and effortlessly be positioned in the desired position. The ASA-3 is supplied with flexible hose, where the ASA-4 is fitted with aluminum pipes.

Available in lengths 2 m, 3 m and 4 m.

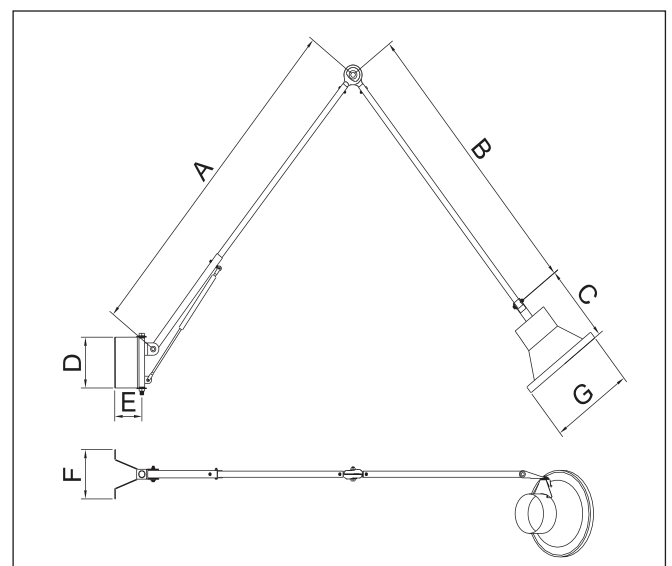
With extension arm the range can be extended up to 8 m. We do not recommend ASA arm of 4 meters mounted on a Extension arm.

The ASA arms are also available in ATEX versions (ASX arm).

Arm	A	B	D	E	F	Hood	C	G
2,0 m	920	680	206	120	200	ø80	180	178
3,0 m	1420	1180	206	120	200	ø100	180	198
4,0 m	1870	1710	206	120	200	ø125	180	223
						ø160	318	360
						ø200	318	360



Dimensions ASA arm



# ESA ARM



The ESA arm is designed with external support arm for easy positioning, ergonomics and low pressure drop. The support arm is made of extruded 6060 aluminum and the joints are of cast glass infused nylon. The arm joints are both supported with gas springs. The hood is made of aluminum for durability, and it is designed for maximum extraction and capture efficiency.

**Dimensions:**  $\varnothing 160$  mm or  $\varnothing 200$  mm

**Lengths:** 2 to 5 meters. At 4 and 5 meters an extension is fitted. Is available up to 8 meters length by using extension arm.

**Hose:** GeoFlex Weld (-10°C to +60°C - briefly 110°C)

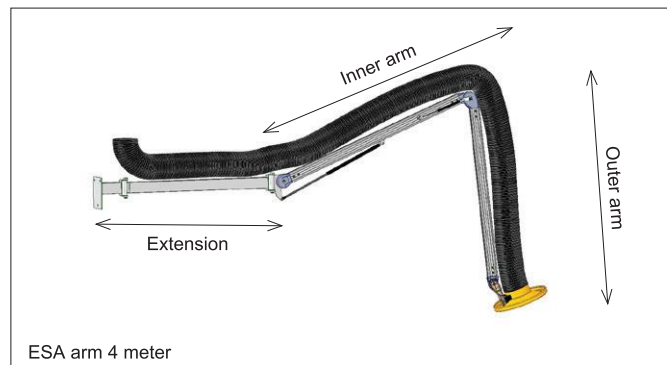
### Recommended air flow

Hose Dimension  $\varnothing 160$  mm

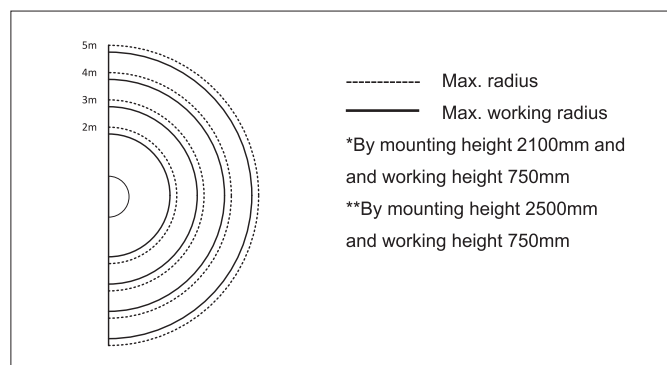
800-1000 m<sup>3</sup>/h

Hose Dimension  $\varnothing 200$  mm

1000-2000 m<sup>3</sup>/h



ESA Arm	Inner support arm (mm)	Outer support arm (mm)	Extension (mm)	Max. working radius (mm)	Max. Radius (mm)
2M	865	696		1600*	2000
3M	1365	1200		2700**	3000
4M	1365	1200	1000	3700**	4000
5M	1365	1200	2000	4700**	5000





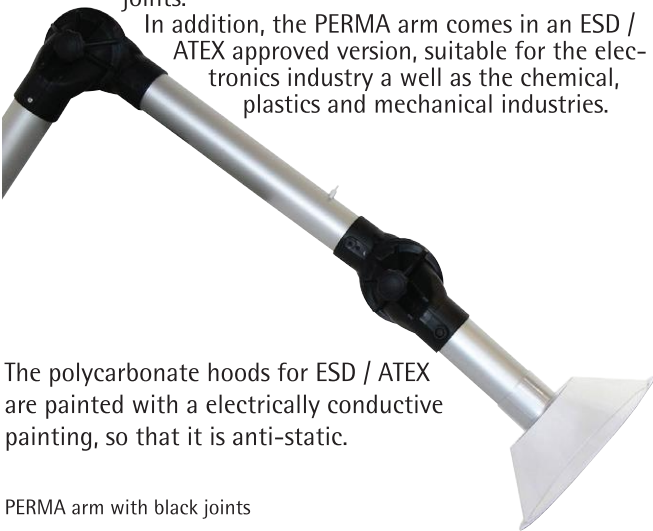
# PERMA ARM



Energy-efficient bends - the market's lowest pressure loss.  
Easy assembly and easy maintenance.

The perfect choice of arm for hairdressers, dentist, pharmacies, hospitals etc. The flexible self carrying construction consist of anodized aluminum pipes with 2 or 3 cast plastic joints.

In addition, the PERMA arm comes in an ESD / ATEX approved version, suitable for the electronics industry as well as the chemical, plastics and mechanical industries.



The polycarbonate hoods for ESD / ATEX are painted with a electrically conductive painting, so that it is anti-static.

PERMA arm with black joints



# FLEXI ARM



The unique design of the Geovent FLEXI arm has been developed especially for the purpose of removing polluted air from laboratories, schools, hospital environments, clinics, etc. By removing the polluted air directly at the source, the exposure of the employees to air causing local irritation and toxic vapors is minimized, resulting in a better working environment.

**Dimension:**  $\varnothing$ 100 mm or  $\varnothing$ 125 mm

**Length:** 1,0 or 1,5 meter

**Installation:** Wall, ceiling, table or cupboard

**Hose:** GeoFlex White (140°C)

Three friction joints as well as a 360° smooth-running swivel suspension secures that the arm may be positioned in any required position within the working area, thus resulting in easy and effortless use of the FLEXI arm.

## FSK is for mounting horizontally

FLEXI model FSK is for mounting horizontally, direct into a wall or cupboard. Used in laboratories, clinics etc. This model has a detachable version, so you can remove the arm when it is not needed.



A: FLEXI arm with bracket for table mounting and 330 x 445 mm polycarbonate hood.

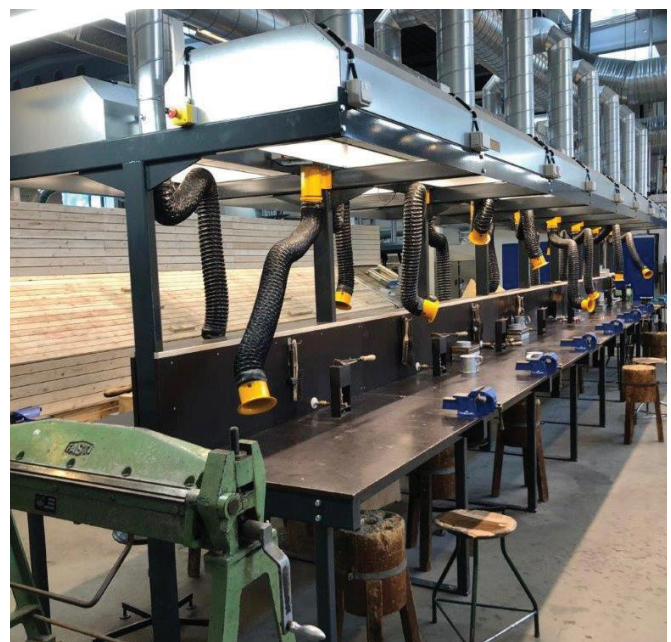
B: The FLEXI arm is available with several different types of hood, both in aluminium and in clear polycarbonate. Here the arm is shown with an  $\varnothing$ 385 mm clear polycarbonate dome-shaped hood.

C: FLEXI arm, with bracket for wall mounting.

D: FLEXI arm, with bracket for ceiling mounting with 360° swivel. Standard bracket of 1.000 mm or custom, according to customer requirements.

E: FLEXI arm, mounted directly into laboratory cupboard. Complete arm, with hood and mounting bracket.

F: FLEXI arm FSK with horizontal attachment and it comes in two versions.



Custom project, FLEXI arms with yellow hoods.



## WING arm, with internal articulated support arm



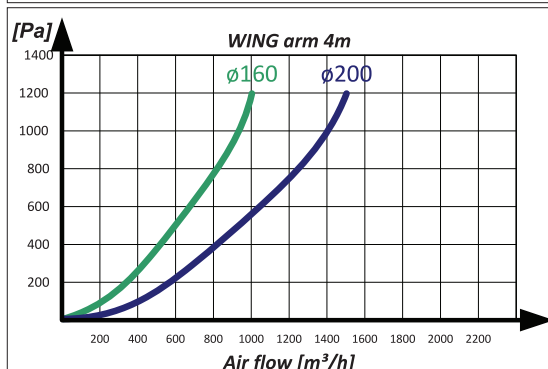
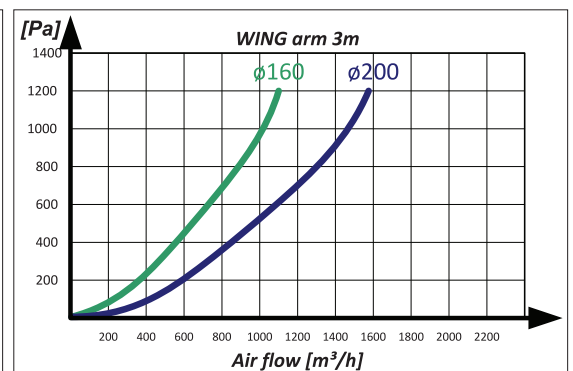
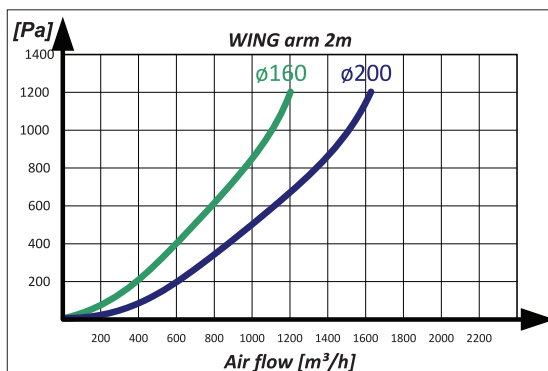
Art. No.	Description
01-008	WING arm 2,0 m $\phi$ 160 mm
01-009	WING arm 3,0 m $\phi$ 160 mm
01-007	WING arm 4,0 m $\phi$ 160 mm
01-007A	WING arm 2,0 m $\phi$ 200 mm
01-008A	WING arm 3,0 m $\phi$ 200 mm
01-009A	WING arm 4,0 m $\phi$ 200 mm

## WING arm with quick-coupling and ball swivel joint

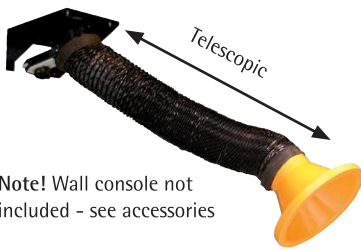


Art. No.	Description
01-202	WING arm $\phi$ 160 mm, 2 m - with quick-coupling/ball joint - w/o hood
01-202A	WING arm $\phi$ 200 mm, 2 m - with quick-coupling/ball joint - w/o hood
01-200	WING arm $\phi$ 160 mm, 3 m - with quick-coupling/ball joint - w/o hood
01-200A	WING arm $\phi$ 200 mm, 3 m - with quick-coupling/ball joint - w/o hood
12-243	Extraction hood for windscreen gluing 850x600 mm - Prepared for quick-coupling $\phi$ 160 mm
12-243A	Extraction hood for windscreen gluing 850x600 mm - Prepared for quick-coupling $\phi$ 200 mm
12-242	Panel fume extractor $\phi$ 160x1300 mm, aluminium. Prepared for quick-coupling
10-247	Detachable welding hood $\phi$ 160/385 mm, prepared for quick-coupling
10-248	Detachable welding hood $\phi$ 200/385 mm, prepared for quick-coupling
01-225	Flange for quick-coupling $\phi$ 160 mm
01-225A	Flange for quick-coupling $\phi$ 200 mm
01-226	Counterpart for quick-coupling $\phi$ 160 mm (for hoses)
01-226A	Counterpart for quick-coupling $\phi$ 200 mm (for hoses)
91-289A	Quick-coupling $\phi$ 160 mm
91-290A	Quick-coupling $\phi$ 200 mm

## Pressure drop curves - WING arm



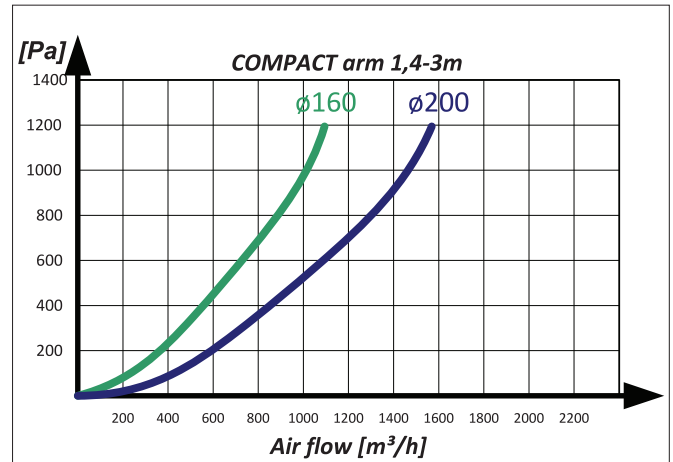
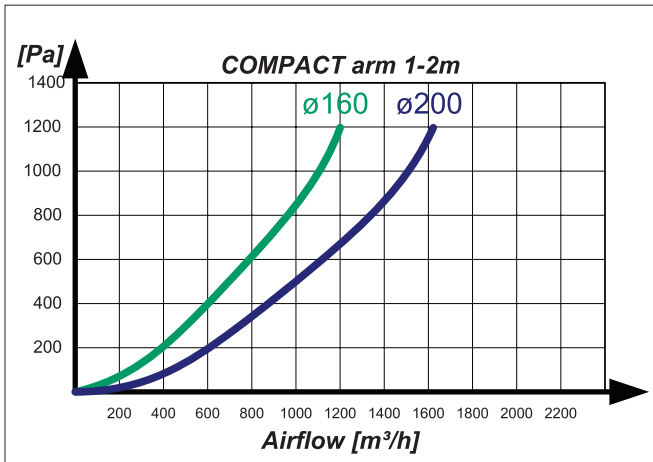
## COMPACT arm, with internal telescopic support arm



Note! Wall console not included - see accessories

Art. No.	Description
01-700	COMPACT arm 1 – 2 m., telescopic, $\varnothing$ 160 mm
01-706	COMPACT arm 1,4 – 3 m., telescopic, $\varnothing$ 160 mm
01-701	COMPACT arm 1 – 2 m., telescopic, $\varnothing$ 200 mm
01-707	COMPACT arm 1,4 – 3 m., telescopic, $\varnothing$ 200 mm

## Pressure drop curves - COMPACT arm



## Accessories for WING and COMPACT arm



Art. No.	Description
01-540	Wall console $\varnothing$ 160 mm, 260 mm from wall
01-541	Wall console $\varnothing$ 200 mm, 280 mm from wall
01-551	Wall console $\varnothing$ 160 L:1m WING/COMPACT
01-552	Wall console $\varnothing$ 200 L:1m WING/COMPACT
01-160	Ceiling console $\varnothing$ 160 mm, L: 0,4-1,2M
01-161	Ceiling console $\varnothing$ 160 mm, L: 1,2-2,4M
01-162	Ceiling console $\varnothing$ 200 mm, L: 0,4-1,2M
01-163	Ceiling console $\varnothing$ 200 mm, L: 1,2-2,4M
12-008	Tight damper for hood - $\varnothing$ 160 mm
12-009	Tight damper for hood - $\varnothing$ 200 mm
01-172	LED set R2 incl. mesh - excl. trafo, $\varnothing$ 125 mm
01-173	LED set R2 incl. mesh - excl. trafo, $\varnothing$ 160 mm + $\varnothing$ 200 mm
01-173A	LED set R3 - excl. trafo, $\varnothing$ 160 mm + $\varnothing$ 200 mm
01-179	Trafo 70 W electronic, 12V
10-253	Hood WING/COMPACT $\varnothing$ 160 mm
10-256	Hood WING/COMPACT $\varnothing$ 200 mm

Fan (MSQ) for mounting on wall console - see fan section.

Polycarbonate hoods for WING/COMPACT-arm - see under accessories for FLEXI arm.



## ASA-3 arm, with external articulated arm, hose and gas spring



Art. No.	Description
ASA-01	ASA-3 arm 2,0 m $\varnothing$ 80 mm, complete
ASA-11	ASA-3 arm 3,0 m $\varnothing$ 80 mm, complete
ASA-21	ASA-3 arm 4,0 m $\varnothing$ 80 mm, complete

ASA-02	ASA-3 arm 2,0 m $\varnothing$ 100 mm, complete
ASA-12	ASA-3 arm 3,0 m $\varnothing$ 100 mm, complete
ASA-22	ASA-3 arm 4,0 m $\varnothing$ 100 mm, complete

ASA-03	ASA-3 arm 2,0 m $\varnothing$ 125 mm, complete
ASA-13	ASA-3 arm 3,0 m $\varnothing$ 125 mm, complete
ASA-23	ASA-3 arm 4,0 m $\varnothing$ 125 mm, complete

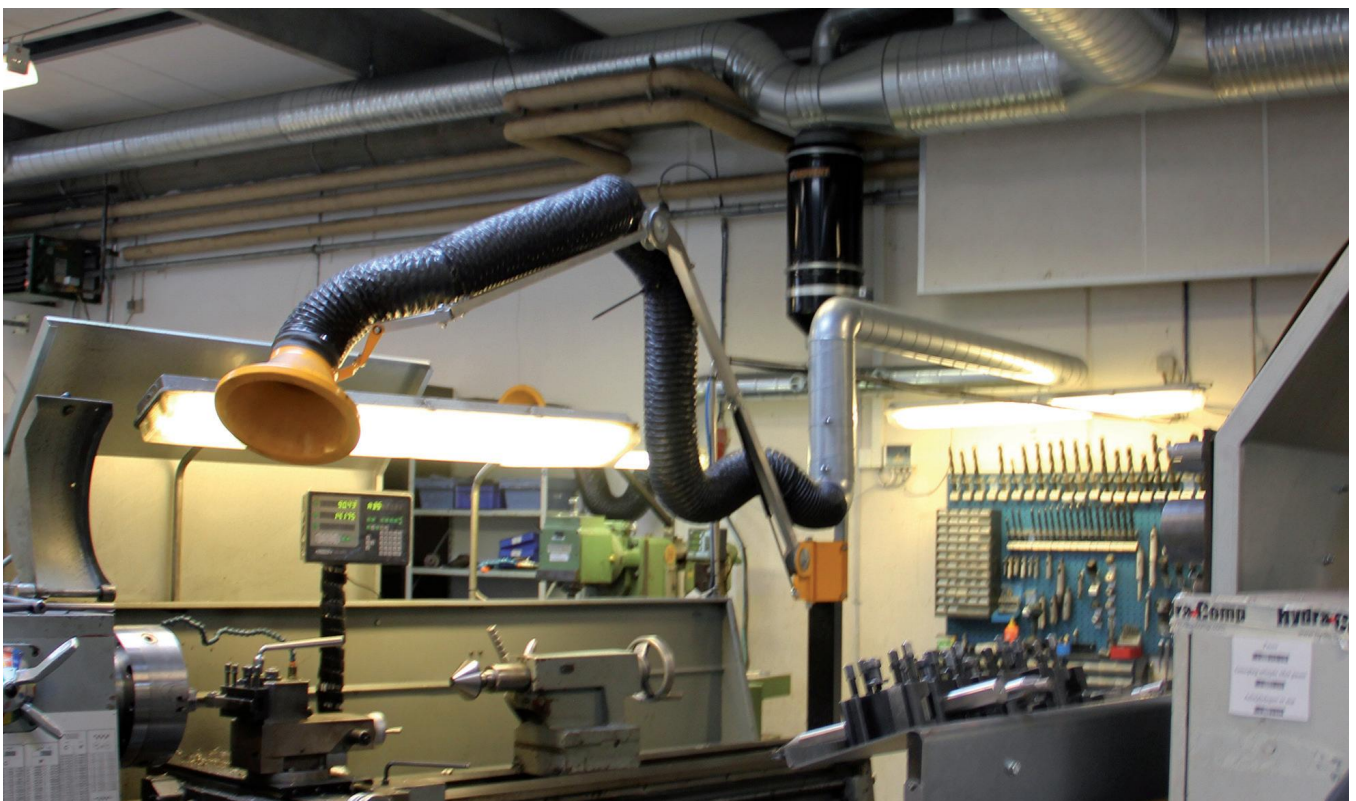
ASA-04	ASA-3 arm 2,0 m $\varnothing$ 160 mm, complete
ASA-14	ASA-3 arm 3,0 m $\varnothing$ 160 mm, complete
ASA-24	ASA-3 arm 4,0 m $\varnothing$ 160 mm, complete

The ASA-3 arm can also be delivered in  $\varnothing$ 50 mm or with special hose upon request.

ASA-31	ASA-3 arm 2,0 m $\varnothing$ 200 mm, complete
ASA-33	ASA-3 arm 3,0 m $\varnothing$ 200 mm, complete
ASA-35	ASA-3 arm 4,0 m $\varnothing$ 200 mm, complete



12-005	Tight damper for hood - $\varnothing$ 80 mm
12-006	Tight damper for hood - $\varnothing$ 100 mm
12-012	Tight damper for hood - $\varnothing$ 125 mm
12-008	Tight damper for hood - $\varnothing$ 160 mm
12-009	Tight damper for hood - $\varnothing$ 200 mm

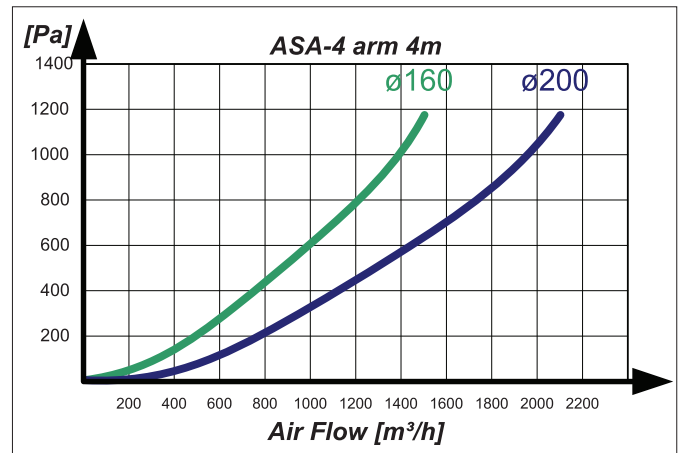
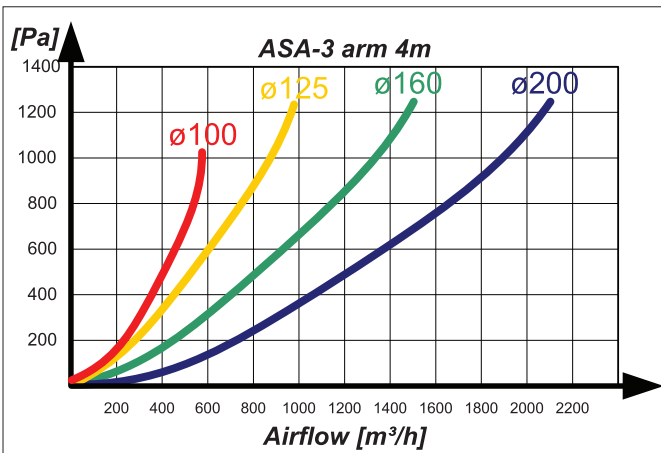
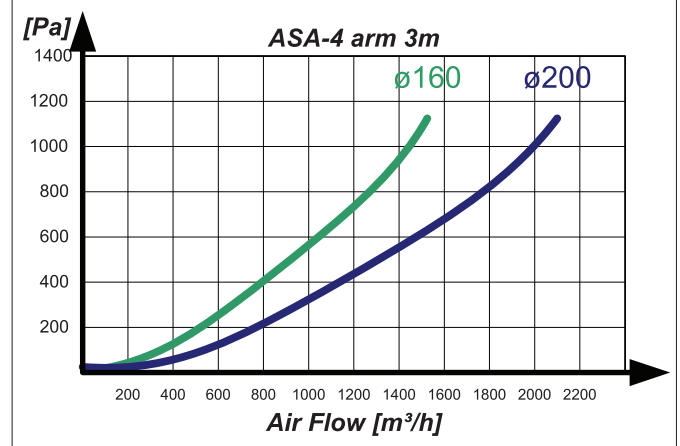
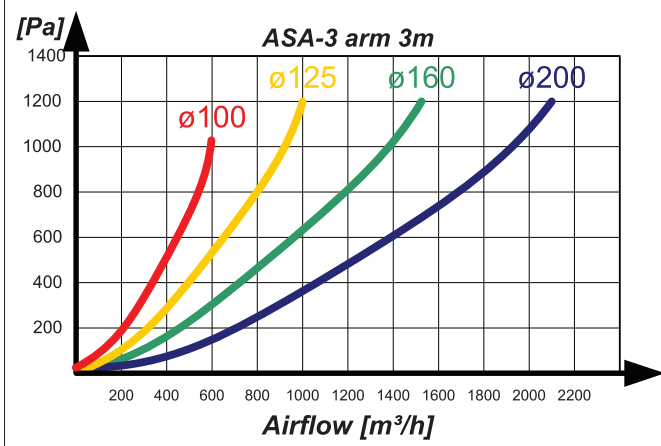
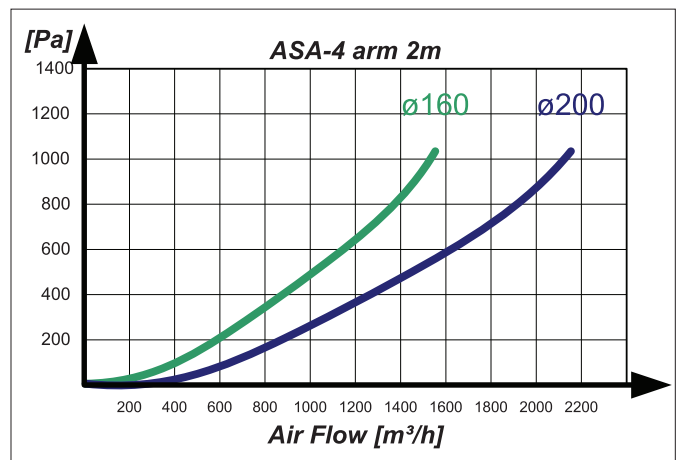
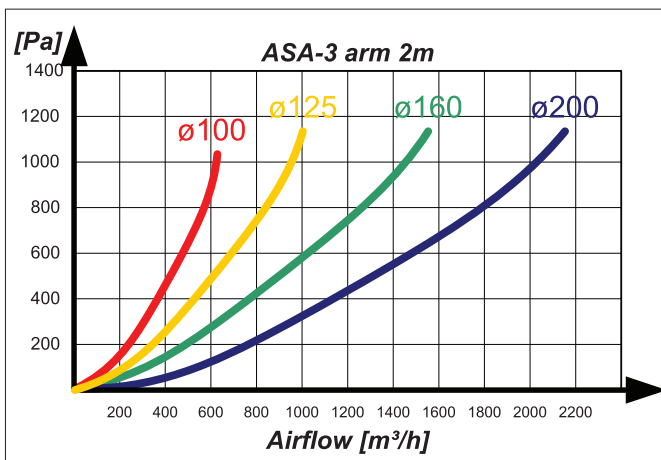


## ASA-4 arm, with external articulated arm, alu pipe and gas spring



Art. No.	Description
ASA4-2-160	ASA-4 arm 2m with $\varnothing$ 160mm alu-pipe, complete
ASA4-2-200	ASA-4 arm 2m with $\varnothing$ 200mm alu-pipe, complete
ASA4-3-160	ASA-4 arm 3m with $\varnothing$ 160mm alu-pipe, complete
ASA4-3-200	ASA-4 arm 3m with $\varnothing$ 200mm alu-pipe, complete
ASA4-4-160	ASA-4 arm 4m with $\varnothing$ 160mm alu-pipe, complete
ASA4-4-200	ASA-4 arm 4m with $\varnothing$ 200mm alu-pipe, complete
12-008	Tight damper for hood - $\varnothing$ 160 mm
12-009	Tight damper for hood - $\varnothing$ 200 mm

### Pressure drop curves - ASA-3 arm





## ESA arm



Art. No.	Description
01-650	ESA arm 2,0m ø160 mm, complete arm incl. hose and wall bracket
01-651	ESA arm 3,0m ø160 mm, complete arm incl. hose and wall bracket
01-652	ESA arm 4,0m ø160 mm, complete arm incl. hose, wall bracket and extender
01-653	ESA arm 5,0m ø160 mm, complete arm incl. hose, wall bracket and extender

01-660	ESA arm 2,0m ø200 mm, complete arm incl. hose and wall bracket
01-661	ESA arm 3,0m ø200 mm, complete arm incl. hose and wall bracket
01-662	ESA arm 4,0m ø200 mm, complete arm incl. hose, wall bracket and extender
01-663	ESA arm 5,0m ø200 mm, complete arm incl. hose, wall bracket and extender

01-681  
Ceiling bracket 360°



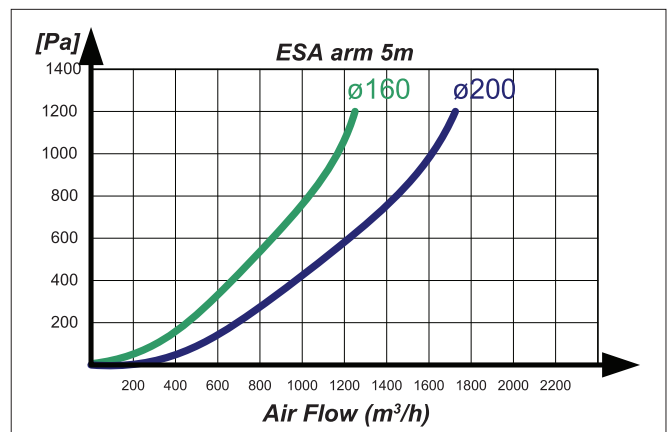
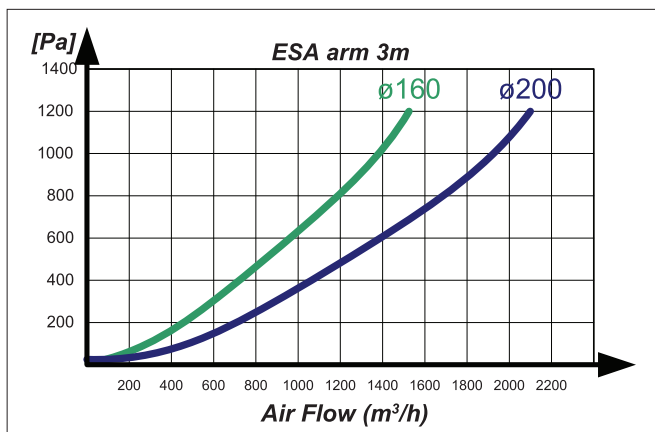
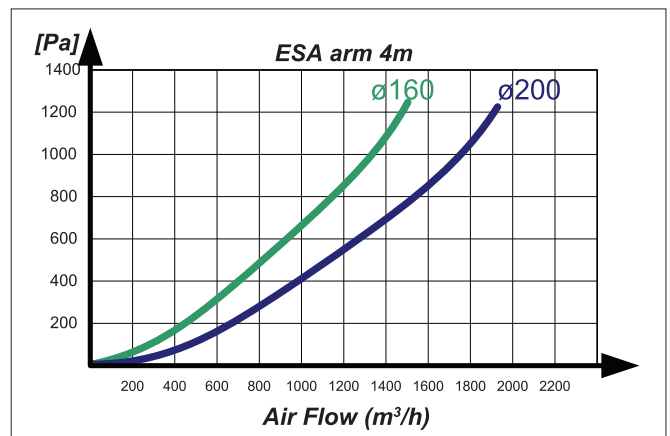
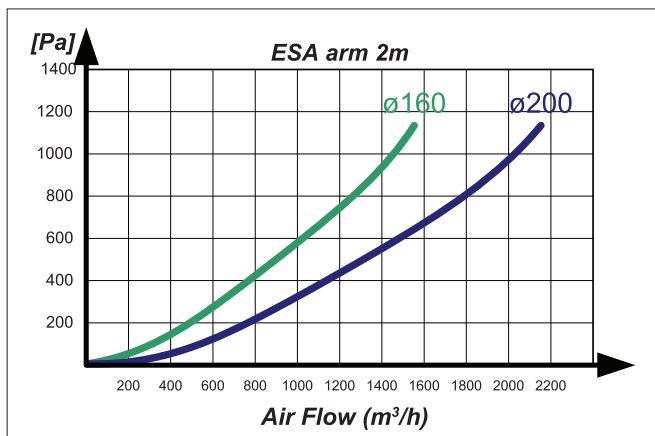
01-680	Universal bracket (floor/ceiling) L=400-1.200 mm
01-680A	Universal bracket (floor/ceiling) L=1.200-2.500 mm
01-681	Ceiling bracket, swivel 360°
01-682	LED Light set with switch for activating fan (signal to Multibox III etc.)
01-179	Trafo 70 W electronic, 12V



12-008E	Tight damper - ø160 mm
12-009E	Tight damper - ø200 mm

01-670M	Hood ø160 mm for ESA arm
01-670N	Hood ø200 mm for ESA arm

## Pressure drop curves - ESA arm



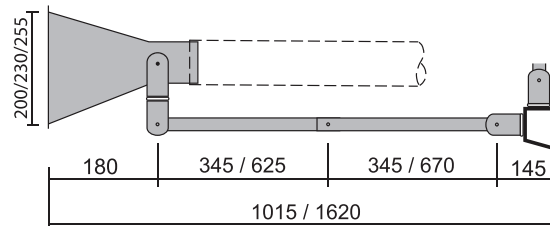
## MINI arm, with external articulated arm and hose



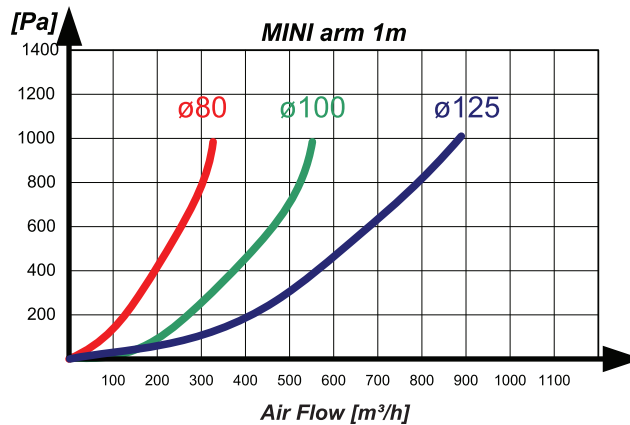
Art. No.	Description
MINI-01	MINI arm 1,0 m ø80, complete
MINI-02	MINI arm 1,0 m ø100, complete
MINI-03	MINI arm 1,0 m ø125, complete
MINI-07	MINI arm 1,5 m ø80, complete
MINI-08	MINI arm 1,5 m ø100, complete
MINI-09	MINI arm 1,5 m ø125, complete
12-005	Tight damper for hood - ø80 mm
12-006	Tight damper for hood - ø100 mm
12-012	Tight damper for hood - ø125 mm
01-085	MINI arm 1,0m with wall/table console. Hose and hood not included.

See also accessories and hoods.

## Dimensions MINI arm



## Pressure drop curves - MINI arm



## GBC arm



01-860

Several variants are available.

Extraction and ventilation for waste collection stations, garbage rooms, and battery rooms. With focus on workers' health and a safe work environment it is increasingly important to ensure that employees and visitors to recycling stations are not exposed to hazardous fumes from waste and toxic materials.

Art. No.	Description
01-859	GBC arm ø650 mm
01-860	GBC arm ø700 mm
01-861	GBC arm 700x900 mm



## Accessories for MINI, ASA-3 and ASA-4 arm



Art. No.	Description
06-121	Hood ø80 mm for ASA-3 and MINI arm
06-122	Hood ø100 mm for ASA-3 and MINI arm
06-123	Hood ø125 mm for ASA-3 and MINI arm
10-251	Hood ø160 for ASA-3 arm
10-255	Hood ø200 for ASA-3 arm
01-553	Wall Console L: 1m ASA

## Extension arm

The extension arm fits all our extraction arms.



Extension arm with WING adapter

Art. No.	Description
01-181	Extension arm 2m, 1-joint for ø160 mm, incl. wall console, excl. adapter
01-181A	Extension arm 2m, 1-joint for ø200 mm, incl. wall console, excl. adapter
01-182	Extension arm 3m, 1-joint for ø160 mm, incl. wall console, excl. adapter
01-182A	Extension arm 3m, 1-joint for ø200 mm, incl. wall console, excl. adapter
01-183	Extension arm 4m, 1-joint for ø160 mm, incl. wall console, excl. adapter
01-183A	Extension arm 4m, 1-joint for ø200 mm, incl. wall console, excl. adapter
01-184	Extension arm 5m, 1-joint for ø160 mm, incl. wall console, excl. adapter
01-184A	Extension arm 5m, 1-joint for ø200 mm, incl. wall console, excl. adapter
01-186	Extension arm 4m, 2-joint for ø160 mm, incl. wall console, excl. adapter
01-186A	Extension arm 4m, 2-joint for ø200 mm, incl. wall console, excl. adapter
01-187	Extension arm 5 m 2-joint ø160 mm, incl. wall console
01-187A	Extension arm 5 m 2-joint ø200 mm, incl. wall console
01-188A	Extension arm 6 m, 2-joint for 160 mm, incl. wall console
01-188A	Extension arm 6 m, 2-joint for 200 mm, incl. wall console

Extension arm in reinforced version for use with hose reels or other heavy products.



Adapter for ASA

Adapter for WING / COMPACT

Art. No.	Description
01-189	Extension arm 5 m, 2-joint for 160 mm, reinforced
01-189A	Extension arm 5 m, 2-joint for 200 mm, reinforced
01-190	Extension arm 6 m, 2-joint for 160 mm, reinforced
01-190A	Extension arm 6 m, 2-joint for 200 mm, reinforced
01-191	Extension arm 5 m, 1-joint for 160 mm, reinforced
01-191A	Extension arm 5 m, 1-joint for 200 mm, reinforced
01-192	Extension arm 6 m, 1-joint for 160 mm, reinforced
01-192A	Extension arm 6 m, 1-joint for 200 mm, reinforced



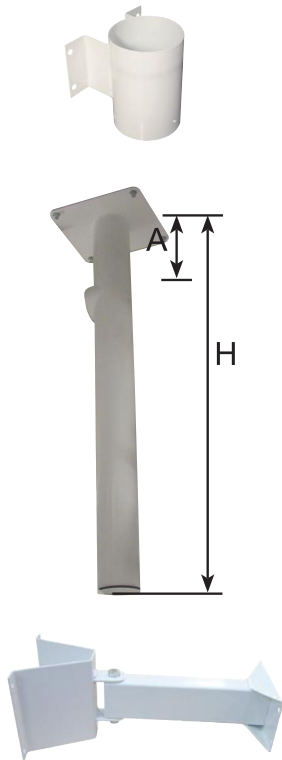
01-127

01-127A

01-195	Adapter for extension arm - WING / COMPACT ø160 mm
01-196	Adapter for extension arm - WING / COMPACT ø200 mm
01-197	Adapter for extension arm - ASA, universal
01-198	Adapter for extension arm - ESA, universal with locking bracket
01-127	Floor column for mounting of extraction arm - square column (ASA-3, ASA-4, WING and COMPACT). H: 2500 mm Floor plate: 330x330 mm Please state type of arm when ordering.
01-127A	Floor column for mounting of extension arm - round column (ASA-3, ASA-4, WING and COMPACT). H: 2500 mm Floor plate: 800x800 mm Please state type of arm when ordering.

## FLEXI arm, with internal articulated arm and hose

### STEP 1.



The extraction FLEXI arm's unique design is specifically designed for use in laboratories, hospital environments, clinics, etc. Positioning within the working area is done easily with the help of three friction joints and a 360° smooth-running rotary suspension.

Art. No.	Description
01-420	Wall console FLEXI - $\varnothing$ 100 mm
01-421	Table console FLEXI - $\varnothing$ 100 mm
01-422	Ceiling console FLEXI - $\varnothing$ 100 mm standard (H=1000 mm. A=125 mm) Table/ceiling bracket (direct ceiling mounting)
01-423	Ceiling console FLEXI - $\varnothing$ 100 mm Customized up to 1000 mm
01-424	Ceiling console FLEXI - $\varnothing$ 100 mm Customized 1000 - 2400 mm

01-440	Wall console FLEXI - $\varnothing$ 125 mm
01-441	Table console FLEXI - $\varnothing$ 125 mm
01-442	Ceiling console FLEXI - $\varnothing$ 125 mm Standard (H=1000 mm. A=138 mm)
01-443	Ceiling console FLEXI - $\varnothing$ 125 mm Customized up to 1000 mm
01-444	Ceiling console FLEXI - $\varnothing$ 125 mm Customized 1000 - 2400 mm

01-585	FLEXI FVK Extension 0,5 meters (requires wall console - 01-420 / 01-440)
01-586	FLEXI FVK Extension 1,5 meters

## FLEXI arm

### STEP 2.



NB: Without console and hood.

Art. No.	Description
01-430	FLEXI arm $\varnothing$ 100 mm L=700 mm
01-431	FLEXI arm $\varnothing$ 100 mm L=1000 mm
01-432	FLEXI arm $\varnothing$ 100 mm L=1500 mm

NB: Without console and hood. See above.

01-450	FLEXI arm $\varnothing$ 125 mm L=700 mm
01-451	FLEXI arm $\varnothing$ 125 mm L=1000 mm
01-452	FLEXI arm $\varnothing$ 125 mm L=1500 mm

NB: Without console and hood. See above.

## FLEXI arm – Accessories / Spare parts

### STEP 3.



Art. No.	Description
01-455	Standard Hood $\varnothing$ 100 mm FLEXI
01-456	Standard Hood $\varnothing$ 125 mm FLEXI

12-006	Tight damper $\varnothing$ 100 mm for use in hood
12-012	Tight damper $\varnothing$ 125 mm for use in hood

FLEXI arm is by default powder coated white, RAL 9016 gloss 60.

Other hoods by request, see next page.

PolyCarbonate hoods

STEP 3.



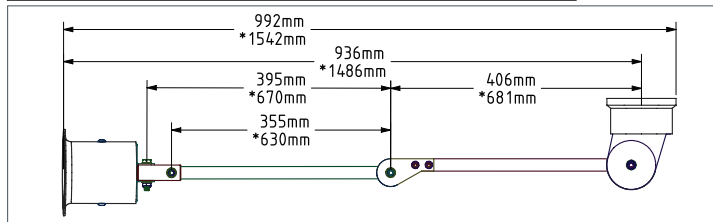
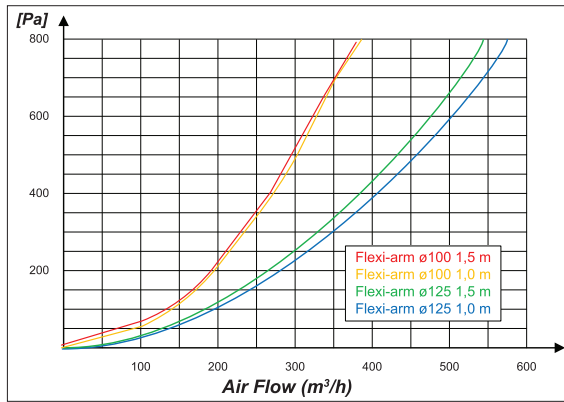
Art. No.	Description
Transparent PolyCarbonate hood $\varnothing$ 500 mm:	
01-568	Hood w/ $\varnothing$ 100 mm connection
01-569	Hood w/ $\varnothing$ 125 mm connection
Transparent PolyCarbonate hood $\varnothing$ 385 mm:	
01-566	Hood w/ $\varnothing$ 100 mm connection
01-567	Hood w/ $\varnothing$ 125 mm connection
Transparent PolyCarbonate hood $\varnothing$ 280 mm:	
01-564	Hood w/ $\varnothing$ 100 mm connection
01-565	Hood w/ $\varnothing$ 125 mm connection
Transparent PolyCarbonate hood 265 x 168 mm:	
01-558	Hood w/ $\varnothing$ 100 mm connection
Transparent PolyCarbonate hood $\varnothing$ 330 x 245 mm:	
01-556	$\varnothing$ 100 mm connection
01-557	$\varnothing$ 125 mm connection
For all PolyCarbonate hoods: please state which arm they are used for: A: ASA (ex. 01-568A) F: Flexi (ex. 01-568F)	
PolyCarbonate hoods are available in $\varnothing$ 160 mm and $\varnothing$ 200 mm for ASA, WING and COMPACT	

Pressure drop curves – dimensions FLEXI arm

Guiding pressure drop:



Dimensions:



\* FLEXI arm 1,5 m

FLEXI arm FSK



FLEXI arm FSK

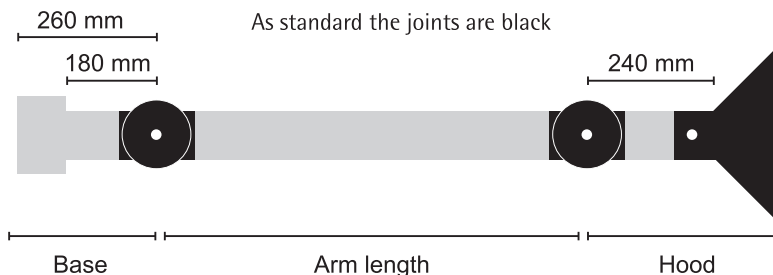
FLEXI arm FSK with horizontal attachment and it comes in two versions. One is fixed to the cabinet as standard (fx. 01-578S), the other arm is quick-release (fx. 01-578D) for easy detachment of the arm. Add S after the art. no. to get a fixed arm or add a D for a quick-release.

Art. No.	Description
01-578S/D	FLEXI arm FSK- $\varnothing$ 100 mm 1,0 m., incl. hood and wall console
01-579S/D	FLEXI arm FSK- $\varnothing$ 100 mm 1,5 m., incl. hood and wall console
01-580S/D	FLEXI arm FSK- $\varnothing$ 125 mm 1,0 m., incl. hood and wall console
01-581S/D	FLEXI arm FSK- $\varnothing$ 125 mm 1,5 m., incl. hood and wall console



## PERMA arm 2 and 3 joint

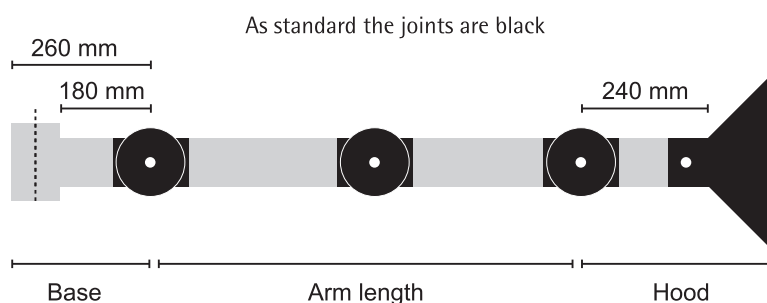
The PERMA arm is suitable for use in laboratories, hospitals, dental clinics, pharmacies, veterinarians, foot therapists, hairdressing salons, jewelers, schools, slaughterhouses, dairies and extraction in supermarkets. In addition, the suction arm is suitable for the electronics industry, chemical, plastics and mechanical industries. (ATEX / ESD approved)



Example: PERMA arm  $\varnothing$ 57 ATEX / ESD, 580 mm 2 joint  
The 580 mm is from center joint to center joint.



PERMA arm with a white joint



Example: PERMA arm  $\varnothing$ 57 ATEX / ESD, 1150 mm 3 joint  
The 1150 mm is from center joint to center joint.

### Guide for PERMA arm use:

Sectors	PERMA arm			
	$\varnothing$ 57	$\varnothing$ 57 ATEX / ESD	$\varnothing$ 76	$\varnothing$ 76 ATEX / ESD
Dental Technician	x <sup>1</sup>		x <sup>1</sup>	
Veterinarians and clinics			x <sup>2</sup>	
Podiatrists	x <sup>6</sup>			
Nail Clinic	x <sup>1</sup>			
Doctors and specialists	x <sup>1</sup>		x <sup>5</sup>	
Laboratories		x <sup>1 2</sup>	x <sup>1 2</sup>	x <sup>1 2</sup>
Hospitals			x <sup>1</sup>	
Pharmacies			x <sup>2</sup>	
Gold and silversmiths	x <sup>1</sup>		x <sup>2</sup>	
Hairdressing	x <sup>3</sup>			
Classrooms in schools, colleges and universities	x <sup>1</sup>		x <sup>1 4</sup>	
Electronics industry		x <sup>1</sup>		x <sup>1</sup>

- Chemicals: <sup>1</sup> Extraction arm with flexible hoses and suction tip  
<sup>2</sup> Extraction arm with dome or funnel  
<sup>3</sup> Extraction arm with flat screen, dome or funnel
- Odour: <sup>2</sup> Extraction arm with dome or funnel
- Gas, smell: <sup>4</sup> Extraction arm with suction funnel or dome
- Solder Fume: <sup>1</sup> Extraction arm with flexible hoses and suction tip
- Anaesthetic Gases: <sup>5</sup> Extraction arm with suction funnel
- Dust: <sup>1</sup> Extraction arm with flexible hoses and suction tip
- Grinding dust: <sup>6</sup> Extraction arm with suction funnel and hose

# STEP 1.

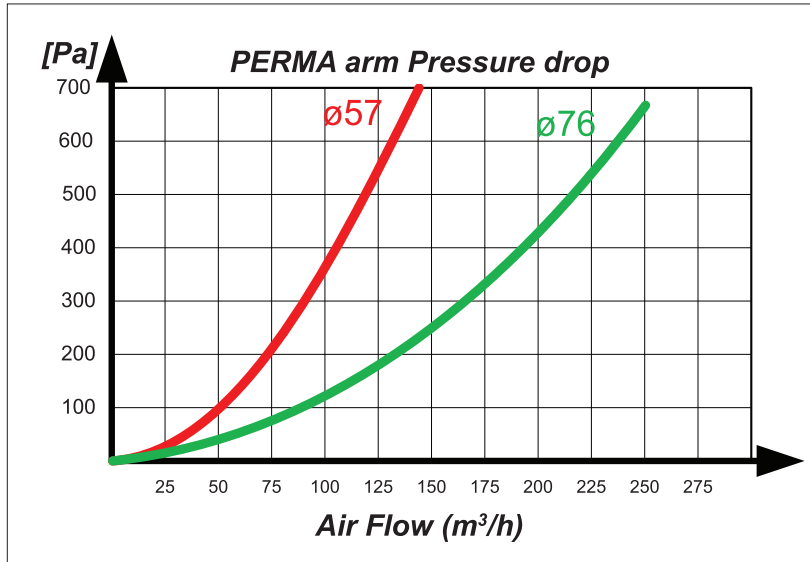
Choose color and size



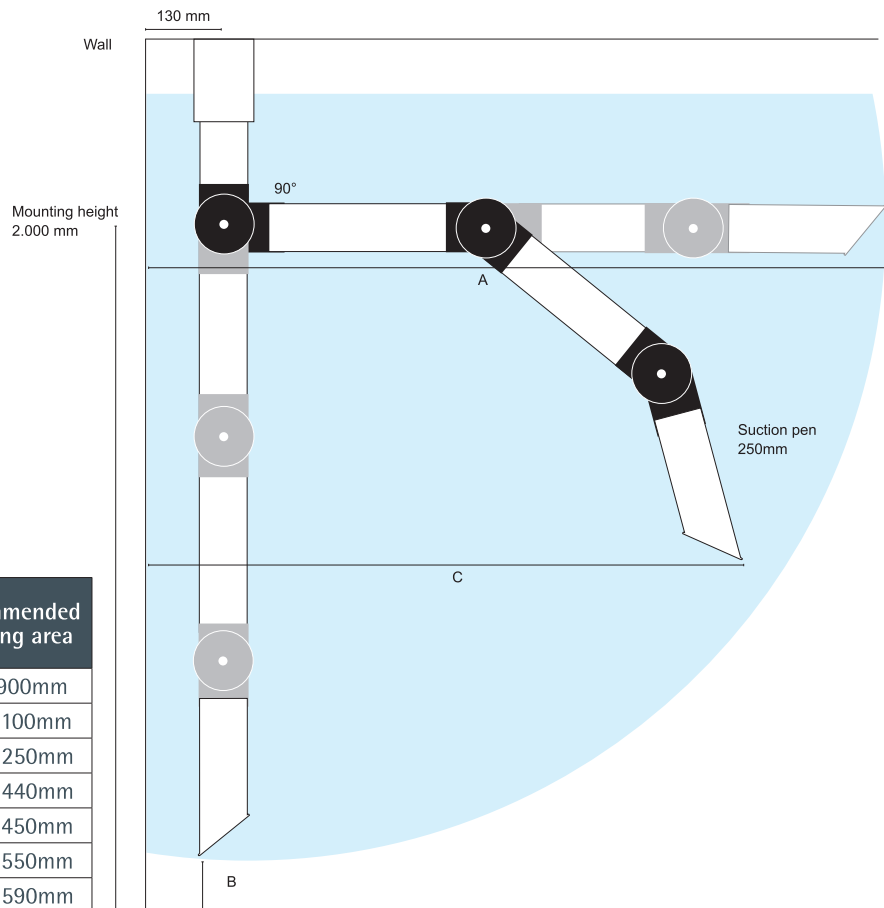
## Pressure drop - PERMA arm

Guiding airflow:

- ø57 mm 50-90 m<sup>3</sup>/h
- ø76 mm 80-180 m<sup>3</sup>/h



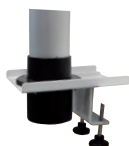
## Working area



Arm-length	A	B	Recommended working area
750mm	1210mm	900mm	500-900mm
950mm	1410mm	700mm	600-1100mm
1150mm	1610mm	500mm	600-1250mm
1250mm	1710mm	400mm	650-1440mm
1350mm	1810mm	300mm	700-1450mm
1420mm	1880mm	230mm	700-1550mm
1490mm	1950mm	160mm	750-1590mm

## PERMA arm, base/mounting bracket

### STEP 2.



Art. No	Description
10-315	Base for wall/ceiling L: 150 mm, ø57 mm, connection to ø100 mm duct
10-415	Base for wall/ceiling L: 180 mm, ø76 mm, connection to ø100 mm duct
10-500	Table bracket mounted directly in table, ø57 mm, hole in the table ø71 mm and connection ø63 mm NP. Pipe length: 260 mm
10-500A	Table bracket mounted directly in table, ø76 mm, hole in the table ø88 mm and connection ø80 mm NP. Pipe length: 260 mm
10-501	Table bracket, ø57 mm, attached to the table edge and connection ø63 mm, NP - Pipe length: 260 mm
10-501A	Table bracket, ø76 mm, attached to the table edge and connection ø80 mm, NP - Pipe length: 260 mm

## PERMA arm ø57 mm, self-supporting arm, 2 or 3 joints

### STEP 3.



Art. No.	Description
10-300*	PERMA arm, L: 380 mm 2 joints white or black, ø57 mm
10-301*	PERMA arm, L: 480 mm 2 joints, white or black, ø57 mm
10-302*	PERMA arm, L: 580 mm 2 joints, white or black, ø57 mm
10-303*	PERMA arm, L: 750 mm 3 joints, white or black, ø57 mm
10-304*	PERMA arm, L: 950 mm 3 joints, white or black, ø57 mm
10-305*	PERMA arm, L: 1150 mm 3 joints, white or black, ø57 mm
10-306*	PERMA arm, L: 1250 mm 3 joints, white or black, ø57 mm
10-307*	PERMA arm, L: 1350 mm 3 joints, white or black, ø57 mm
10-308*	PERMA arm, L: 1420 mm 3 joints, white or black, ø57 mm
10-309*	PERMA arm, L: 1490 mm 3 joints, white or black, ø57 mm

All PERMA arms are incl. damper.

\* The PERMA arms are available in 4 versions – black or white joints (S/H) or table mounting or ceiling/wall mounting (B/L)  
Therefore, an extension to the Art. No. added:  
SL = Black for ceiling/wall HL = White for ceiling/wall SB = Black for table HB = White for table.

## PERMA arm ø76 mm, self-supporting arm, 2 or 3 joints



Art. No.	Description
10-400*	PERMA arm, L: 380 mm 2 joints, white or black, ø76 mm
10-401*	PERMA arm, L: 480 mm 2 joints, white or black, ø76 mm
10-402*	PERMA arm, L: 580 mm 2 joints, white or black, ø76 mm
10-403*	PERMA arm, L: 750 mm 3 joints, white or black, ø76 mm
10-404*	PERMA arm, L: 950 mm 3 joints, white or black, ø76 mm
10-405*	PERMA arm, L: 1150 mm 3 joints, white or black, ø76 mm
10-406*	PERMA arm, L: 1250 mm 3 joints, white or black, ø76 mm
10-407*	PERMA arm, L: 1350 mm 3 joints, white or black, ø76 mm
10-408*	PERMA arm, L: 1420 mm 3 joints, white or black, ø76 mm
10-409*	PERMA arm, L: 1490 mm 3 joints, white or black, ø76 mm

All PERMA arms are incl. damper.

\* The PERMA arms are available in 4 versions – black or white joints (S/H) or table mounting or ceiling/wall mounting (B/L)  
Therefore, an extension to the Art. No. added:  
SL = Black for ceiling/wall HL = White for ceiling/wall SB = Black for table HB = White for table.



## Extraction hoods and suction pen

### STEP 4.



10-476

Art. No.	Description
10-321	Aluminum hood conical ø150 mm, ø57 mm
10-421	Aluminum hood conical ø150 mm, ø76 mm
10-316	Hood ø380 mm, polycarbonate, ø57 mm
10-416	Hood ø380 mm, polycarbonate, ø76 mm
10-316A	Hood ø280 mm, polycarbonate, ø57 mm
10-416A	Hood ø280 mm, polycarbonate, ø76 mm
10-317	Conical hood ø250, polycarbonate, ø57 mm
10-417	Conical hood ø250, polycarbonate, ø76 mm
10-318	Conical hood ø250 mm, with flextube 300 mm, polycarbonate ø57 mm
10-418	Conical hood ø250 mm, with flextube 300 mm, polycarbonate ø76 mm
10-319	Conical hood ø250 mm, with straight edge, polycarbonate, ø57 mm
10-419	Conical hood ø250 mm, with straight edge, polycarbonate, ø76 mm
10-320	Conical hood ø250 mm, with straight edge and flextube 300 mm, polycarbonate ø57 mm
10-420	Conical hood ø250 mm, with straight edge and flextube 300 mm, polycarbonate ø76 mm
10-329	Hood oval 140x180 mm, polycarbonate, ø57 mm
10-323	Flat screen 340x250 mm, polycarbonate, ø57 mm
10-425	Flat screen 340x250 mm, polycarbonate, ø76 mm
Tube 180 mm connecting the hood with the arm is included	
10-324	Suction pen alu, L: 250 mm, ø57 mm
10-422	Suction pen alu, L: 250 mm, ø76 mm
10-325	Suction pen alu, L: 350 mm, ø57 mm
10-423	Suction pen alu, L: 350 mm, ø76 mm
10-324A	Suction pen alu, L: 250 mm, with lip, ø57 mm
10-422A	Suction pen alu, L: 250 mm, with lip, ø76 mm
10-325A	Suction pen alu, L: 350 mm, with lip, ø57 mm
10-423A	Suction pen alu, L: 350 mm, with lip, ø76 mm
10-326	Suction pen alu, L: 150 mm with flextube L: 300 mm, ø57 mm
10-424	Suction pen alu, L: 150 mm with flextube L: 300 mm, ø76 mm
10-326A	Suction pen alu, with lip, L: 150 with flextube L: 300 mm, ø57 mm
10-424A	Suction pen alu, with lip, L: 150 with flextube L: 300 mm, ø76 mm
10-370	Suction pen alu, L: 150 mm with flextube L: 600 mm and damper, ø57 mm
10-371	Suction pen alu, L: 150 mm with flextube L: 900 mm and damper, ø57 mm
10-476	Light kit incl. LED driver and on/off switch

Pipe 180 mm connecting the hood with the arm is included

## Mounting brackets / pipes

### STEP 5.



Art. No.	Description
10-502	Ceiling console with side connection L: 250 mm, ø100 mm duct
10-503	Ceiling console with side connection L: 350 mm, ø100 mm duct
10-504	Ceiling console with side connection L: 500 mm, ø100 mm duct
10-505	Ceiling console with side connection L: 750 mm, ø100 mm duct
10-506	Ceiling console with side connection L: 1000 mm, ø100 mm duct
10-507	Pipe white ø100 mm, L: 500 mm
10-508	Pipe white ø100 mm, L: 1000 mm
10-515	Connection nipple, ø100 mm, for assembly of ceiling console and pipes
10-509	Wall bracket for pipe, ø100 mm, 75 mm from the wall
10-509A	Wall bracket for base/pipe, ø100 mm, L: 120 mm
10-511	Ceiling bracket open ø100 mm - 200x200 mm
10-512	Branch pipe ø100 mm, B: 620 x H: 250 mm - used for 1 outlet and 2 arms
10-514	Support bracket for ceiling pipes ø100 mm
We recommend that all arms and hoods are cleaned with water	



# MOBILE UNIT



GeoGo Mini - White Line

For many years we have manufactured different kinds of mobile extraction units, which gives the users a great flexibility. In Denmark it is demanded, that the polluted air is extracted out of the building. This could be by connecting the extraction unit to a pipe system or to use a hose which leads the air outside.

In many foreign markets the recirculation of air is allowed, taken that the air is cleaned. Therefore, we have developed mobile extraction units with integrated filters.

A special need is found by dentists, podiatrists, and others, who experience a demand and a need for extraction of air from the treatment room in order to protect their patients, employees, and themselves.

For this group of customers we have developed solutions for air cleaning and exchange of the air adapted to the specific need. Together with other protective solutions a mobile extraction unit or air cleaning unit is an efficient solution. This way a comfortable and safe environment is secured.







PM-200 and PM-225



GEOVENT supplies portable and mobile ventilation and extraction solutions for use on board ships, off shore, in farming, for service engineers and industry. Common to all tasks is that it is difficult and some times impossible to establish a fixed point of extraction as the tasks are where the operator is working, e.g. welding jobs on building material, paint jobs, or repair work on board ships or oil rigs. The outlet hose is placed outside so the operator is not exposed to hazardous fumes, smoke or particles.

Note: Recirculation is not always in compliance with local regulations, therefore we recommend using a hose on the fan outlet and place it outside.

Art. No.	Description
30-006A	PM-180-1 including 10 m ø125 mm GeoFlex WELD hose, hood with magnet, thermal protection with breaker and 10m cable 1x230V with plug. Airflow max. 700 m <sup>3</sup> /h, less if the hose is bent.
30-006H	PM-180-1 including 10 m ø160 mm GeoFlex WELD hose, hood with magnet, thermal protection with breaker and 10m cable 1x230V with plug. Airflow max. 1.100 m <sup>3</sup> /h, less if the hose is bent.
31-006H	PM-200-1 including 10m ø160mm GeoFlex Weld hose, hood with magnet, thermal protection with breaker and 10m cable 1x230V with plug. Airflow max. 1.800 m <sup>3</sup> /h, less if the hose is bent. Transport trolley for easy transport.
32-006A	PM-225-3 including 10 m ø200 mm GeoFlex Weld hose, hood with magnet, thermal protection with breaker and 10m cable 3x400V with CEE plug. Airflow max. 2.400 m <sup>3</sup> /h, less if the hose is bent. Transport trolley for easy transport.
30-007	Additional charge for transport cart
09-310A	Extra 10m hose with MF/NP quick coupling, ø125 mm
09-313H	Extra 10m hose with MF/NP quick coupling, ø160 mm
09-314H	Extra 10m hose with MF/NP quick coupling, ø200 mm

Mobile extractor with fixed ASA3-arm. Used in i.e. repair shops where a fixed arm is inconvenient. Powdercoated black steel with wheels and low center of gravity. Height (without arm): 1700 mm. Complete set with MSFG-200-3 fan, 3x400V with 10m cable, ASA3-arm ø160 mm and 5m outlet hose. Also available without fan.

Art. No.	Description
10-270-2W	Mobile extractor with 2 m ASA arm
10-270-3W	Mobile extractor with 3 m ASA arm
10-270	Mobile trolley for ASA arm, without arm and fan



GeoGo is a mobile unit with built-in filters. It is designed to be used in changing workplaces, e.g. for welding or grinding. GeoGo is provided with aluminum metal pre-filter, and a V-bank F9 filter, so that the air is cleaned to a minimum of 95%. It is supplied with an extraction arm to the customer's request: WING arm, ASA-4 arm, or ESA arm. These are  $\varnothing 160$  mm in 2 or 3 meters. The built-in fan is 1,1 kW 230V or 1,1kW 110V. It is quiet compared with equivalent products and has a maximum air flow of 1.450 m<sup>3</sup>/h. Comes with Schuko plug.

Art. No.	Description
15-210	GeoGo 1,1kW 1x230V W3. Without arm. Not yet available
15-211	GeoGo 1,1kW 1x230V, V-Bank - F9. Without arm
15-212	GeoGo 1,1 kW 1x230V HEPA H13. Without arm
15-213	GeoGo 1,1kW 1X110V. Without arm

01-008G	WING arm 2,0 m $\varnothing 160$ mm
01-009G	WING arm 3,0 m $\varnothing 160$ mm
01-650G	ESA arm 2,0 m $\varnothing 160$ mm
01-651G	ESA arm 3,0 m $\varnothing 160$ mm
ASA4-2-160G	ASA-4 arm 2,0 m $\varnothing 160$ mm
ASA4-3-160G	ASA-4 arm 3,0 m $\varnothing 160$ mm

15-211A	V-Bank F9 595x595x292
15-211B	V-Bank Filter HEPA 595x595x292
15-211C	Metal filter Alu 595x595x20



GeoGo Mini White Line is an extractor suitable for extraction and filtration of dust, aerosols, and other substances in the air. These substances are typically generated in treatment rooms of dentists, podiatrists etc. and other activities where people are treated by people. It is necessary to protect people from dust, aerosols, and other substances which can be harmful to the health. Comes with F7, HEPA 14 filter and Schuko plug as well as a standard Perma arm with hood. Other solutions on request.

Art. No.	Description
15-150	GeoGo Mini - White Line. Incl. arm and filter
15-196	Filter F7 for GeoGo Mini / Clean
15-197	Filter H14 for GeoGo Mini / Clean
15-198	Filter F7 with active carbon



GeoGo Clean is suitable for extraction for filtering dust, aerosols and other particles. It is used for cleaning air in all rooms where continuous air cleaning is desired. Comes with F7, HEPA 14 filter and Schuko plug. Other solutions on request.

Art. No.	Description
15-170	GeoGo Clean
15-196	Filter F7 for GeoGo Mini / Clean
15-197	Filter H14 for GeoGo Mini / Clean
15-198	Filter F7 with active carbon

## ASX extraction arm with external articulated arm and gas spring

ATEX  
Compliant



Extraction arm for use in explosive atmosphere (ATEX).  
Double grounding (Resistance  $R < 108\Omega$ ) ensures that the arm will not function as ignition. This allows the arm to be used in areas with gas or dust classified as explosive area (ATEX).  
The ASX arms are based on the construction of our ASA arm.

Art. No.	Description
ASX-01	ASX arm 2,0m $\varnothing 80$ mm, complete
ASX-11	ASX arm 3,0m $\varnothing 80$ mm, complete
ASX-21	ASX arm 4,0m $\varnothing 80$ mm, complete

ASX-02	ASX arm 2,0m $\varnothing 100$ mm, complete
ASX-12	ASX arm 3,0m $\varnothing 100$ mm, complete
ASX-22	ASX arm 4,0m $\varnothing 100$ mm complete

ASX-03	ASX arm 2,0m $\varnothing 125$ mm, complete
ASX-13	ASX arm 3,0 m $\varnothing 125$ mm, complete
ASX-23	ASX arm 4,0 m $\varnothing 125$ mm, complete

ASX-04	ASX arm 2,0m $\varnothing 160$ mm, complete
ASX-14	ASX arm 3,0m $\varnothing 160$ mm, complete
ASX-24	ASX arm 4,0m $\varnothing 160$ mm, complete

ASX-31	ASX arm 2,0m, $\varnothing 200$ mm, complete
ASX-33	ASX arm 3,0m $\varnothing 200$ mm, complete
ASX-35	ASX arm 4,0m $\varnothing 200$ mm, complete



12-005	Tight damper for hood - $\varnothing 80$ mm
12-006	Tight damper for hood - $\varnothing 100$ mm
12-012	Tight damper for hood - $\varnothing 125$ mm
12-008	Tight damper for hood - $\varnothing 160$ mm
12-009	Tight damper for hood - $\varnothing 200$ mm

## ASX stainless extraction arm with external articulated arm and gas spring



Stainless Extraction arm for use in explosive atmosphere (ATEX).

Art. No.	Description
ASX-RF-01	ATEX ASX arm 2 m $\varnothing 80$ stainless
ASX-RF-02	ATEX ASX arm 2 m $\varnothing 100$ stainless
ASX-RF-03	ATEX ASX arm 2 m $\varnothing 125$ stainless
ASX-RF-04	ATEX ASX arm 2 m $\varnothing 160$ stainless
ASX-RF-12	ATEX ASX arm 3 m $\varnothing 100$ stainless
ASX-RF-13	ATEX ASX arm 3 m $\varnothing 125$ stainless
ASX-RF-14	ATEX ASX arm 3 m $\varnothing 160$ stainless
ASX-RF-31	ATEX ASX arm 2 m $\varnothing 200$ stainless
ASX-RF-33	ATEX ASX arm 3 m $\varnothing 200$ stainless

**PERMA arm, base/mounting bracket - ATEX/ESD**



Art. No	Description
10-365	Base for wall/ceiling L:150 mm, ATEX/ESD, ø57 mm, connection to ø100 mm duct
10-465	Base for wall/ceiling L:150 mm, ATEX/ESD, ø76 mm, connection to ø100 mm duct
10-365B	Table bracket mounted directly in table, ATEX/ESD, ø57 mm, hole in the table ø71 mm and connection ø63 mm NP. Pipe length: 260 mm
10-465B	Table bracket mounted directly in table, ATEX/ESD, ø76 mm, hole in the table ø88 mm and connection ø80 mm NP. Pipe length: 260 mm
10-365C	Table bracket, ATEX/ESD, ø57 mm, attached to the table edge and connection ø63 mm, NP - Pipe length: 260 mm
10-465C	Table bracket, ATEX/ESD, ø76 mm, attached to the table edge and connection ø80 mm, NP - Pipe length: 260 mm

**PERMA arm ø57 mm, self-supporting arm, 2 or 3 joints, ATEX/ESD - Only available in black**



Art. No.	Description
10-350*	PERMA arm, L: 380 mm 2 joints, ATEX/ESD, ø57 mm
10-351*	PERMA arm, L: 480 mm 2 joints, ATEX/ESD, ø57 mm
10-352*	PERMA arm, L: 580 mm 2 joints, ATEX/ESD, ø57 mm
10-353*	PERMA arm, L: 750 mm 3 joints, ATEX/ESD, ø57 mm
10-354*	PERMA arm, L: 950 mm 3 joints, ATEX/ESD, ø57 mm
10-355*	PERMA arm, L: 1150 mm 3 joints, ATEX/ESD, ø57 mm
10-356*	PERMA arm, L: 1250 mm 3 joints, ATEX/ESD, ø57 mm
10-357*	PERMA arm, L: 1350 mm 3 joints, ATEX/ESD, ø57 mm
10-358*	PERMA arm, L: 1420 mm 3 joints, ATEX/ESD, ø57 mm
10-359*	PERMA arm, L: 1490 mm 3 joints, ATEX/ESD, ø57 mm

All PERMA arms are incl. damper.

\* The PERMA arms are available in 2 versions with black joints for table mounting or ceiling/wall mounting (B/L)  
Therefore, an extension to the Art. No. added: L = Ceiling/wall B = Table.

**PERMA arm ø76 mm, self-supporting arm, 2 or 3 joints, ATEX/ESD - Only available in black**



Art. No.	Description
10-450*	PERMA arm, L: 380 mm 2 joints, ATEX/ESD, ø76 mm
10-451*	PERMA arm, L: 480 mm 2 joints, ATEX/ESD, ø76 mm
10-452*	PERMA arm, L: 580 mm 2 joints, ATEX/ESD, ø76 mm
10-453*	PERMA arm, L: 750 mm 3 joints, ATEX/ESD, ø76 mm
10-454*	PERMA arm, L: 950 mm 3 joints, ATEX/ESD, ø76 mm
10-455*	PERMA arm, L: 1150 mm 3 joints, ATEX/ESD, ø76 mm
10-456*	PERMA arm, L: 1250 mm 3 joints, ATEX/ESD, ø76 mm
10-457*	PERMA arm, L: 1350 mm 3 joints, ATEX/ESD, ø76 mm
10-458*	PERMA arm, L: 1420 mm 3 joints, ATEX/ESD, ø76 mm
10-459*	PERMA arm, L: 1490 mm 3 joints, ATEX/ESD, ø76 mm

All PERMA arms are incl. damper.

\* The PERMA arms are available in 2 versions with black joints for table mounting or ceiling/wall mounting (B/L)  
Therefore, an extension to the Art. No. added: L = Ceiling/wall B = Table.

The arms can be mounted directly in spiral duct, REMEMBER grounding.



## Extraction hoods and suction pen ATEX/ESD



Art. No.	Description
10-366	Aluminum hood conical, $\varnothing$ 150 mm, ATEX/ESD, $\varnothing$ 57 mm
10-466	Aluminum hood conical, $\varnothing$ 150 mm, ATEX/ESD, $\varnothing$ 76 mm
10-374	Dome hood $\varnothing$ 380 mm, painted polycarbonate, ATEX/ESD, $\varnothing$ 57 mm
10-470	Dome hood $\varnothing$ 380 mm, painted polycarbonate, ATEX/ESD, $\varnothing$ 76 mm
10-374A	Dome hood $\varnothing$ 280 mm, painted polycarbonate, ATEX/ESD, $\varnothing$ 57 mm
10-470A	Dome hood $\varnothing$ 280 mm, painted polycarbonate, ATEX/ESD, $\varnothing$ 76 mm
10-375	Conical hood, $\varnothing$ 250 mm, painted polycarbonate, ATEX/ESD, $\varnothing$ 57 mm
10-471	Conical hood, $\varnothing$ 250 mm, painted polycarbonate, ATEX/ESD, $\varnothing$ 76 mm
10-376	Hood conical, $\varnothing$ 250 mm with flextube 300 mm, painted polycarbonate, ATEX/ESD, $\varnothing$ 57 mm
10-472	Hood conical, $\varnothing$ 250 mm with flextube 300 mm, painted polycarbonate, ATEX/ESD, $\varnothing$ 76 mm
10-377	Hood conical, straight edge, $\varnothing$ 250 mm, painted polycarbonate, ATEX/ESD, $\varnothing$ 57 mm
10-473	Hood conical, straight edge, $\varnothing$ 250 mm, painted polycarbonate, ESD, $\varnothing$ 76
10-378	Hood conical, $\varnothing$ 250 mm, with straight edge and flextube 300 mm, painted polycarbonat, ATEX/ESD, $\varnothing$ 57 mm
10-474	Hood conical, $\varnothing$ 250 mm, with straight edge and flextube 300 mm, painted polycarbonat, ATEX/ESD, $\varnothing$ 76 mm
10-382	Hood oval 140x180 mm, painted polycarbonate, ATEX/ESD, $\varnothing$ 57 mm
10-380	Flat screen 340x250 mm, painted polycarbonate, ATEX/ESD, $\varnothing$ 57 mm
10-475	Flat screen 340x250 mm, painted polycarbonate, ATEX/ESD, $\varnothing$ 76 mm
Tube 180 mm connecting the hood with the arm is included	
10-367	Suction pen alu, L: 250 mm, ATEX/ESD, $\varnothing$ 57 mm
10-467	Suction pen alu, L: 250 mm, ATEX/ESD, $\varnothing$ 76 mm
10-368	Suction pen alu, L: 350 mm,ATEX/ESD, $\varnothing$ 57 mm
10-468	Suction pen alu, L: 350 mm, ATEX/ESD, $\varnothing$ 76 mm
10-367A	Suction pen alu, L: 250 mm, with lip, ATEX/ESD, $\varnothing$ 57 mm
10-467A	Suction pen alu, L: 250 mm, with lip, ATEX/ESD, $\varnothing$ 76 mm
10-368A	Suction pen alu, L: 350 mm, with lip, ATEX/ESD $\varnothing$ 57 mm
10-468A	Suction pen alu, L: 350 mm, with lip, ATEX/ESD, $\varnothing$ 76 mm
10-369	Suction pen alu, L: 150 mm with flextube L: 300 mm, ATEX/ESD, $\varnothing$ 57 mm
10-469	Suction pen alu, L: 150 mm with flextube L: 300 mm, ATEX/ESD, $\varnothing$ 76 mm
10-369A	Suction pen alu, with lip, L: 150 with flextube L: 300 mm, ATEX/ESD, $\varnothing$ 57 mm
10-469A	Suction pen alu, with lip, L: 150 with flextube L: 300 mm, ATEX/ESD, $\varnothing$ 76 mm
10-370A	Suction pen alu, L: 150 mm with flextube L: 600 mm and damper, ATEX/ESD, $\varnothing$ 57 mm
10-371A	Suction pen alu, L: 150 mm with flextube L: 900 mm and damper, ATEX/ESD, $\varnothing$ 57 mm